

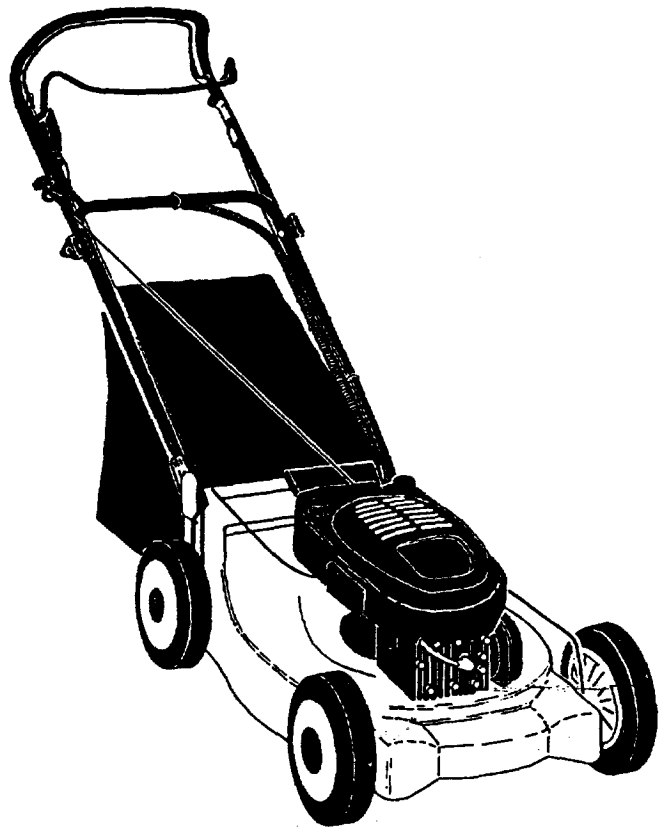
# Owner's Manual

# **CRAFTSMAN<sup>®</sup>**

**6.75 HORSEPOWER  
21" REAR DISCHARGE  
POWER PROPELLED  
ELECTRIC START  
ROTARY LAWN MOWER**

Model No.  
**917.377631**

- **Safety**
- **Assembly**
- **Operation**
- **Maintenance**
- **Español**
- **Repair Parts**



## **CAUTION:**

Read and follow all  
Safety Rules and Instructions  
before operating this equipment

Sears, Roebuck and Co., Hoffman Estates, IL 60179

## TABLE OF CONTENTS

|                      |    |                         |            |
|----------------------|----|-------------------------|------------|
| Warranty             | 2  | Product Specifications  | 11         |
| Safety Rules         | 2  | Service and Adjustments | 14         |
| Assembly             | 4  | Storage                 | 14         |
| Operation            | 6  | Troubleshooting         | 16         |
| Maintenance Schedule | 10 | Repair Parts            | 34         |
| Maintenance          | 10 | Parts Ordering          | Back Cover |

## WARRANTY

### LIMITED TWO YEAR WARRANTY ON CRAFTSMAN POWER MOWER

For two years from date of purchase, when this Craftsman Lawn Mower is maintained, lubricated, and tuned up according to the operating and maintenance instructions in the owner's manual, Sears will repair free of charge any defect in material or workmanship. If this Craftsman Lawn Mower is used for commercial or rental purposes, this warranty applies for only 90 days from the date of purchase.

This Warranty does not cover:

- Expendable items which become worn during normal use, such as rotary mower blades, blade adapters, belts, air cleaners and spark plug.
- Repairs necessary because of operator abuse or negligence, including bent crankshafts and the failure to maintain the equipment according to the instructions contained in the owner's manual.

Warranty service is available by returning the Craftsman power mower to the nearest Sears Service Center/Department in the United States. This warranty applies only while this product is in use in the United States.

This Warranty gives you specific legal rights, and you may also have other rights which vary from state to state.

SEARS, ROEBUCK AND CO., D/817 WA, HOFFMAN ESTATES, ILLINOIS 60179

## SAFETY RULES

### TRAINING:

- Read this operator's manual carefully. Become familiar with the controls and know how to operate your mower properly. Learn how to quickly stop mower.
- Do not allow children to use your mower. Never allow adults to use mower without proper instructions.
- Keep the area of operation clear of all persons, especially small children and pets.
- Use mower only as the manufacturer intended and as described in this manual.
- Do not operate mower if it has been dropped or damaged in any manner. Always have damage repaired before using your mower.

- Do not use accessory attachments that are not recommended by the manufacturer. Use of such attachments may be hazardous.
- The blade turns when the engine is running.

### PREPARATION:

- Always thoroughly check the area to be mowed and clear it of all stones, sticks, wires, bones, and other foreign objects. These objects will be thrown by the blade and can cause severe injury.
- Always wear safety glasses or eye shields when starting and while using your mower.
- Dress properly. Do not operate mower when barefoot or wearing open sandals. Wear only solid shoes with good traction when mowing.

- Check fuel tank before starting engine. Do not fill gas tank indoors, when the engine is running or when the engine is hot. Allow the engine to cool for several minutes before filling the gas tank. Clean off any spilled gasoline before starting the engine.
- Always make wheel height adjustments before starting your mower. Never attempt to do this while the engine is running.
- Mow only in daylight or good artificial light.
- Do not run the engine indoors. Exhaust fumes are dangerous.
- Never cut grass by pulling the mower towards you. Mow across the face of slopes, never up and down or you might lose your footing. Do not mow excessively steep slopes. Use caution when operating the mower on uneven terrain or when changing directions — maintain good footing.
- Never operate your mower without proper guards, plates, grass catcher or other safety devices in place.

#### **OPERATION:**

- Keep your eyes and mind on your mower and the area being cut. Do not let other interests distract you.
- Do not mow wet or slippery grass. Never run while operating your mower. Always be sure of your footing — keep a firm hold on the handles and walk.
- Do not put hands or feet near or under rotating parts. Keep clear of the discharge opening at all times.
- Always stop the engine whenever you leave or are not using your mower, or before crossing driveways, walks, roads, and any gravel-covered areas.
- Never direct discharge of material toward bystanders nor allow anyone near the mower while you are operating it.
- Before cleaning, inspecting, or repairing your mower, stop the engine and make absolutely sure the blade and all moving parts have stopped. Then disconnect the spark plug wire and keep it away from the spark plug to prevent accidental starting.
- Do not continue to run your mower if you hit a foreign object. Follow the procedure outlined above, then repair any damage before restarting and operating your mower.
- Do not change the governor settings or overspeed the engine. Engine damage or personal injury may result.
- Do not operate your mower if it vibrates abnormally. Excessive vibration is an indication of damage; stop the engine, safely check for the cause of vibration and repair as required.

#### **MAINTENANCE AND STORAGE:**

- Check the blade and the engine mounting bolts often to be sure they are tightened properly.
- Check all bolts, nuts and screws at frequent intervals for proper tightness to be sure mower is in safe working condition.
- Keep all safety devices in place and working.
- To reduce fire hazard, keep the engine free of grass, leaves or excessive grease and oil.
- Check grass catcher often for deterioration and wear and replace worn bags. Use only replacement bags that are recommended by and comply with specifications of the manufacturer of your mower.
- Always keep a sharp blade on your mower.
- Allow engine to cool before storing in any enclosure.
- Never store mower with fuel in the tank inside a building where fumes may reach an open flame or an ignition source such as a hot water heater, space heater, clothes dryer, etc.

**CAUTION:** Always disconnect spark plug wire and place wire where it cannot contact spark plug in order to prevent accidental starting when setting up, transporting, adjusting or making repairs.




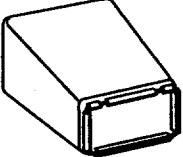

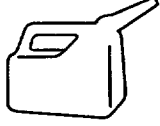
#### **WARNING**

The engine exhaust from this product contains chemicals known to the State of California to cause cancer, birth defects, or other reproductive harm.


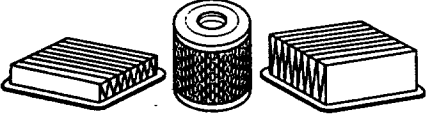


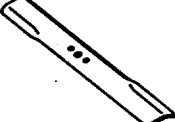
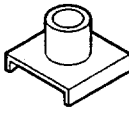


## ACCESSORIES

These accessories were available when this lawn mower was produced. They are also available at most Sears retail outlets and service centers. Most Sears stores can also order repair parts for you, when you provide the model number of your lawn mower. Some of these accessories may not apply to your lawn mower.

### LAWN MOWER PERFORMANCE

|   |   |  |
|---|---|--|
|  <p><b>CLIPPING DEFLECTOR<br/>FOR REAR DISCHARGE LAWN MOWERS</b></p>     |  <p><b>MULCHER KITS</b></p>   |  <p><b>STABILIZER</b></p> |
|  <p><b>GRASS CATCHERS<br/>FOR<br/>REAR DISCHARGE<br/>LAWN MOWERS</b></p> |  <p><b>GRASS CATCHERS<br/>FOR<br/>SIDE DISCHARGE<br/>LAWN MOWERS</b></p> |  <p><b>GAS CANS</b></p>   |

### LAWN MOWER MAINTENANCE

|  |   |   |   |
|--|---|---|---|
|  <p><b>MUFFLERS</b></p> |   |  <p><b>AIR FILTERS</b></p>    |  <p><b>SPARK PLUGS</b></p> |
|  <p><b>BELTS</b></p>   |  <p><b>BLADES</b></p> |  <p><b>BLADE ADAPTERS</b></p> |  <p><b>WHEELS</b></p>     |
|  |   |  <p><b>ENGINE OIL</b></p>   |   |

## ASSEMBLY

Read these instructions and this manual in its entirety before you attempt to assemble or operate your new lawn mower. Your new lawn mower has been assembled at the factory with the exception of those parts left unassembled for shipping purposes. To ensure safe and proper operation of your lawn mower, all parts and hardware you assemble must be tightened securely. Use the correct tools as necessary to ensure proper tightness. All parts such as nuts, washers, bolts, etc., necessary to complete the assembly have been placed in the parts bag.

### TO REMOVE LAWN MOWER FROM CARTON

- Remove loose parts included with mower.
- Cut down two end corners of carton and lay end panel down flat.
- Remove all packing materials except padding between upper and lower handle and padding holding operator

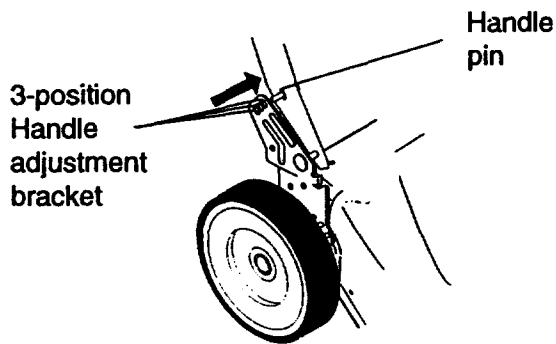
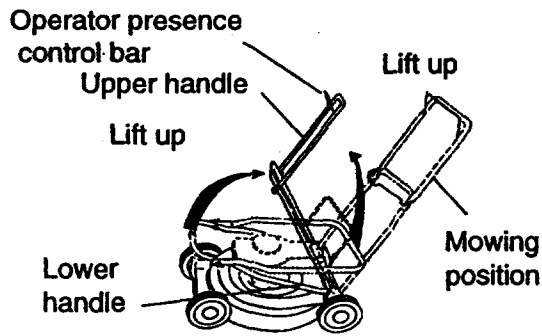
- presence control bar to upper handle.
- Roll lawn mower out of carton and check carton thoroughly for additional loose parts.

### HOW TO SET UP YOUR LAWN MOWER

#### TO UNFOLD HANDLE

**IMPORTANT:** Unfold handle carefully so as not to pinch or damage control cables.

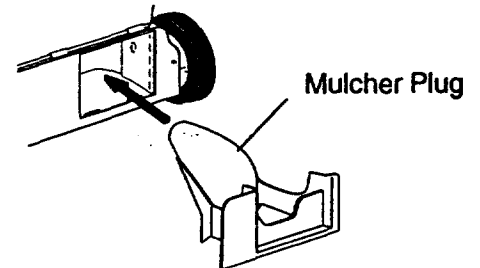
- Raise lower handle section to operating position and squeeze the bottom ends of lower handle towards each other until the pin in handle can be inserted into one of the three height adjustment holes.
- Remove protective padding, raise upper handle section into place on lower handle and tighten both handle knobs.
- Remove any packing material from around control bar.
- Your handles may be adjusted for your mowing comfort. Refer to Service and Adjustments section of this manual.



## TO INSTALL ATTACHMENTS

Your lawn mower was shipped ready to be used as a mulcher. To convert to bagging or discharging:

- Open rear door and remove mulcher plug. Store mulcher plug in a safe place.
- You can now install catcher or optional clipping deflector.
- To return to mulching operation, install mulcher plug into discharge opening of mower.



## TO PREPARE BATTERY

**NOTE:** Your battery must be charged before you can start your lawn mower.

- Disconnect engine battery connector (male) from battery connector (female)
- Connect battery charger connector (male) to battery connector (female).
- Plug battery charger into 110 volt A.C. outlet.
- Leave battery charger connected for 24 hours before starting your engine for the first time.
- After charging, connect engine connector (male) to battery connector (female).

Your engine has an integral alternator for partial charging. Connect your battery charger to charge battery as required.

**IMPORTANT:** The engine alternator will not charge a discharged battery.

At the end of the mowing season the battery should be charged for 48 hours to protect the battery during winter storage.

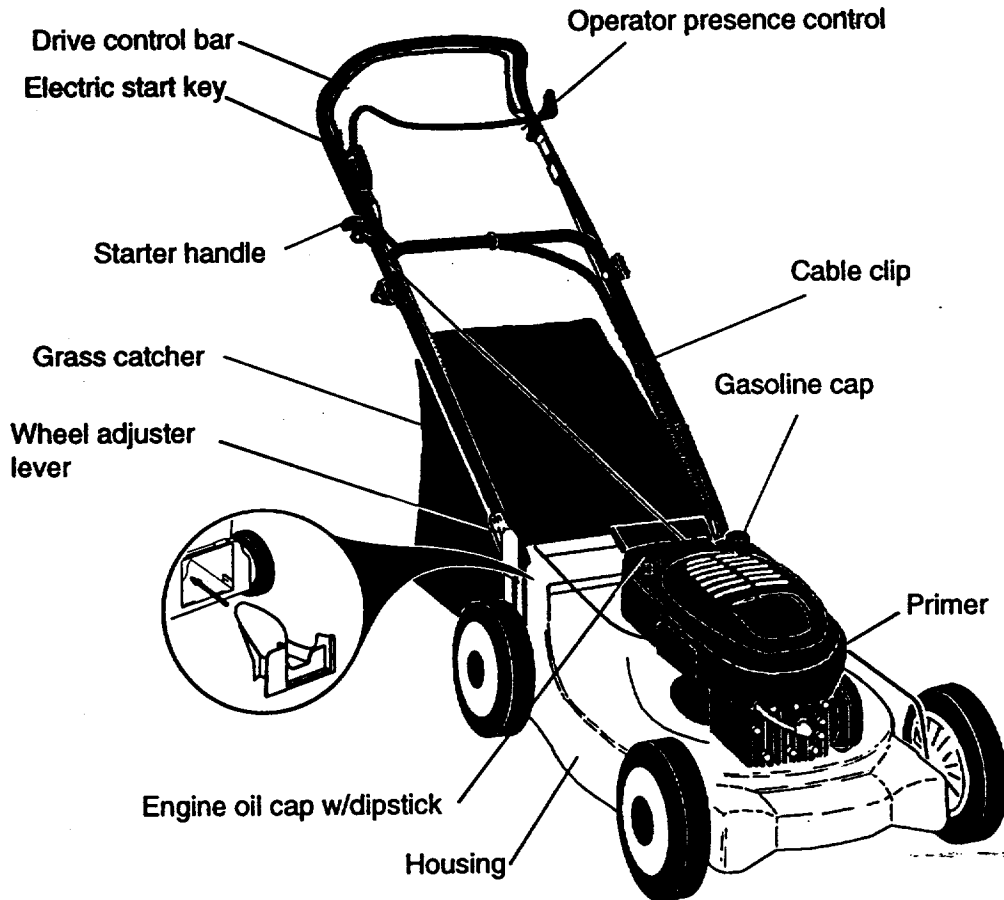
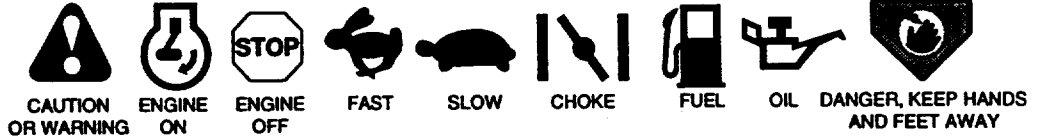
**CAUTION:** Always disconnect the engine connector (male) from the battery connector (female) to prevent accidental starting when transporting or storing your lawn mower after the season.

# OPERATION

## KNOW YOUR LAWN MOWER

READ THIS OWNER'S MANUAL AND SAFETY RULES BEFORE OPERATING YOUR LAWN MOWER. Compare the illustrations with your lawn mower to familiarize yourself with the location of various controls and adjustments. Save this manual for future reference.

These symbols may appear on your lawn mower or in literature supplied with the product. Learn and understand their meaning.



## MEETS CPSC SAFETY REQUIREMENTS

Sears rotary walk-behind power lawn mowers conform to the safety standards of the American National Standards Institute and the U.S. Consumer Product Safety Commission. The blade turns when the engine is running.

**Operator presence control** - must be held down to the handle to start the engine. Release to stop the engine.

**Primer** - pumps additional fuel from the carburetor to the cylinder for use when starting a cold engine.

**Starter handle** - used for starting the engine.

**Drive control bar** - used to engage power-propelled forward motion of lawn mower.

**Mulcher plug** - Located at the rear discharge opening must be removed when converting to bagging operation.

**Electric start key** - used for starting the engine.

The operation of any lawn mower can result in foreign objects thrown into the eyes, which can result in severe eye damage. Always wear safety glasses or eye shields while operating your lawn mower or performing any adjustments or repairs. We recommend a wide vision safety mask over the spectacles or standard safety glasses.

### HOW TO USE YOUR LAWN MOWER ENGINE SPEED

The engine speed was set at the factory for optimum performance. Speed is not adjustable.

### ENGINE ZONE CONTROL

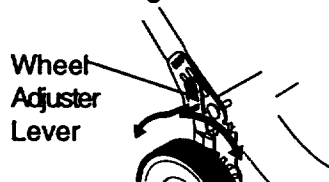
**CAUTION:** Federal regulations require an engine control to be installed on this lawn mower in order to minimize the risk of blade contact injury. Do not under any circumstances attempt to defeat the function of the operator control. The blade turns when the engine is running.

- Your lawn mower is equipped with an operator presence control bar which requires the operator to be positioned behind the lawn mower handle to start and operate the lawn mower.

### TO ADJUST CUTTING HEIGHT

- All four wheels are adjusted by a single lever.
- Pull adjuster lever toward wheel. To raise mower, move lever forward to desired position. To lower mower, move the lever toward the rear.

Lower Wheels for high cut



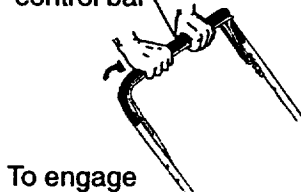
Raise Wheels for low cut

### TO OPERATE DRIVE SYSTEM

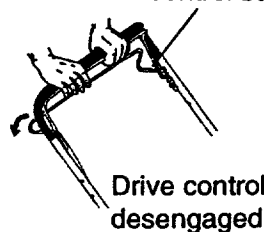
- To start forward motion, lift drive control bar up to handle.
- To stop forward motion, release drive control bar.

**IMPORTANT:** Always keep drive control bar fully engaged against handle when in use.

Operator presence control bar



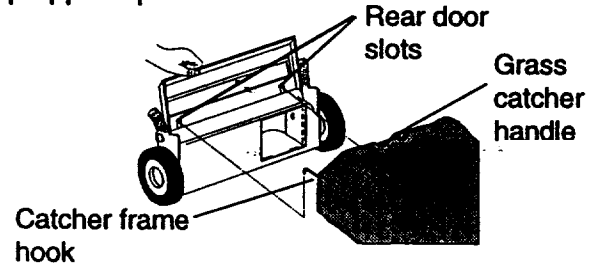
Drive control bar



### TO ATTACH GRASS CATCHER

- Lift the rear door of the lawn mower and place the grass catcher frame hooks into the slots of the rear door.
- The grass catcher is secured to the lawn mower housing when the rear door is lowered onto the grass catcher frame.

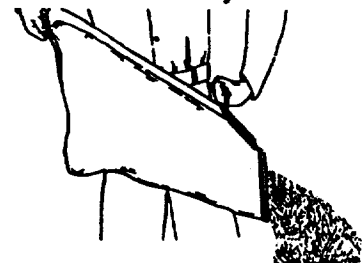
**CAUTION:** Do not run your lawn mower without clipping deflector or approved grass catcher in place. Never attempt to operate the lawn mower with the rear door removed or propped open.



### TO EMPTY GRASS CATCHER

- Lift up on grass catcher using the frame handle.
- Remove grass catcher with clippings from under lawn mower handle.
- Empty clippings from bag using both frame handle and bag handle.

**NOTE:** Do not drag the bag when emptying; it will cause unnecessary wear.



### BEFORE STARTING ENGINE

#### OIL

Your lawn mower is shipped without oil in the engine.

- Be sure mower is level and area around oil fill is clean.
- Remove engine oil cap w/dipstick and fill to the full line on the dipstick.
- Use 20 ozs. of oil. For type and grade of oil to use, see "ENGINE" in Maintenance section of this manual.
- Pour oil slowly. Do not over fill.
- Check oil level before each use. Add oil if needed. Fill to full line on dipstick.
- To read proper level, tighten engine oil cap each time.
- Reinstall engine oil cap and tighten.

- Change the oil after every 25 hours of operation or each season. You may need to change the oil more often under dusty, dirty conditions.

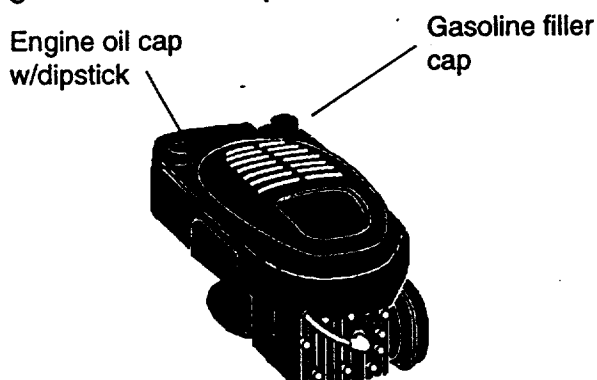
#### **GAS**

- Fill fuel tank. Use fresh, clean, regular unleaded gasoline with a minimum of 87 octane. (Use of leaded gasoline will increase carbon and lead oxide deposits and reduce valve life). Do not mix oil with gasoline. Purchase fuel in quantities that can be used within 30 days to assure fuel freshness.

**IMPORTANT:** WHEN OPERATING IN TEMPERATURES BELOW 32°F(0°C), use fresh, clean winter grade gasoline to help insure good cold weather starting.

**WARNING:** Experience indicates that alcohol blended fuels (called gasohol or using ethanol or methanol) can attract moisture which leads to separation and formation of acids during storage. Acidic gas can damage the fuel system of an engine while in storage. To avoid engine problems, the fuel system should be emptied before storage of 30 days or longer. Drain the gas tank, start the engine and let it run until the fuel lines and carburetor are empty. Use fresh fuel next season. See Storage Instructions for additional information. Never use engine or carburetor cleaner products in the fuel tank or permanent damage may occur.

**CAUTION:** Fill to bottom of gas tank filler neck. Do not overfill. Wipe off any spilled oil or fuel. Do not store, spill or use gasoline near an open flame.



#### **TO START ENGINE**

- To start a cold engine, push primer five (5) times before trying to start. Use a firm push. This step is not usually necessary when starting an engine which has already run for a few minutes.
- Hold operator presence control bar down to the handle.
- Turn electric start key clockwise to crank engine.

**IMPORTANT:** Do not crank engine more than five continuous seconds between each time you try to start. Wait 5 to 10 seconds between each attempt.

- To start engine using the auxiliary starter handle, follow the steps above. Exchange the use of the start key for starter handle. Pull starter handle quickly. Do not allow starter rope to snap back.
- To stop engine, release operator presence control bar.

**NOTE:** In cooler weather it may be necessary to repeat priming steps. In warmer weather over priming may cause flooding and engine will not start. If you do flood engine wait a few minutes before attempting to start and do not repeat priming steps.

#### **MOWING TIPS**

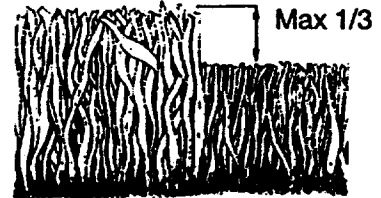
- Under certain conditions, such as very tall grass, it may be necessary to raise the height of cut to reduce pushing effort and to keep from overloading the engine and leaving clumps of grass clippings.
- For extremely heavy cutting, reduce the width of cut by overlapping previously cut path and mow slowly.
- When using a rear discharge lawn mower in moist, heavy grass, clumps of cut grass may not enter the grass catcher. Reduce ground speed (pushing speed) and/or run the lawn mower over the area a second time.
- If a trail of clippings is left on the right side of a rear discharge mower, mow in a clockwise direction with a small overlap to collect the clippings on the next pass.
- Pores in cloth grass catchers can become filled with dirt and dust with use and catchers will collect less grass. To prevent this, regularly hose catcher off with water and let dry before using.
- Keep top of engine around starter clear and clean of grass clippings and chaff. This will help engine air flow and extend engine life.



## MULCHING MOWING TIPS

**IMPORTANT:** For best performance, keep mower housing free of built-up grass and trash. See "Cleaning" in Maintenance section of this manual.

- The special mulching blade will recut the grass clippings many times and reduce them in size so that as they fall onto the lawn they will disperse into the grass and not be noticed. Also, the mulched grass will biodegrade quickly to provide nutrients for the lawn. Always mulch with your highest engine (blade) speed as this will provide the best recutting action of the blades.
- Avoid cutting your lawn when it is wet. Wet grass tends to form clumps and interferes with the mulching action. The best time to mow your lawn is the early afternoon. At this time the grass has dried and the newly cut area will not be exposed to the direct sun.
- For best results, adjust the lawn mower cutting height so that the lawn mower cuts off only the top one-third of the grass blades. If the lawn is overgrown it will be necessary to raise the height of cut to reduce pushing effort and to keep from overloading the engine and leaving clumps of mulched grass. For extremely heavy mulching, reduce your width of cut by overlapping previously cut path and mow slowly.
- Certain types of grass and grass conditions may require that an area be mulched a second time to completely hide the clippings. When doing a second cut, mow across or perpendicular to the first cut path.
- Change your cutting pattern from week to week. Mow north to south one week then change to east to west the next week. This will help prevent matting and graining of the lawn.



# MAINTENANCE

| <b>MAINTENANCE SCHEDULE</b>                         |   | BEFORE EACH USE |   |  |   | AFTER EACH USE |  |  |                  | EVERY 10 HOURS |  |  |  | EVERY 25 HOURS OR EVERY SEASON |  |  |  | BEFORE STORAGE |  |  |  | SERVICE DATES |  |  |  |  |  |  |  |  |  |  |  |  |  |  |  |  |  |  |
|---|---|-----------------|---|--|---|----------------|--|--|------------------|----------------|--|--|--|--------------------------------|--|--|--|----------------|--|--|--|---------------|--|--|--|--|--|--|--|--|--|--|--|--|--|--|--|--|--|--|
| FILL IN DATES<br>AS YOU COMPLETE<br>REGULAR SERVICE |   |                 |   |  |   |                |  |  |                  |                |  |  |  |                                |  |  |  |                |  |  |  |               |  |  |  |  |  |  |  |  |  |  |  |  |  |  |  |  |  |  |
| <b>M<br/>O<br/>W<br/>E<br/>R</b>                    | Check for Loose Fasteners                         | ✓               |   |  |   |                |  |  |                  |                |  |  |  |                                |  |  |  |                |  |  |  |               |  |  |  |  |  |  |  |  |  |  |  |  |  |  |  |  |  |  |
|   | Clean/Inspect Grass Catcher (If Equipped)         | ✓               | ✓ |  |   |                |  |  |                  |                |  |  |  |                                |  |  |  |                |  |  |  |               |  |  |  |  |  |  |  |  |  |  |  |  |  |  |  |  |  |  |
|   | Clean Lawn Mower                                  |                 | ✓ |  |   |                |  |  |                  |                |  |  |  |                                |  |  |  |                |  |  |  |               |  |  |  |  |  |  |  |  |  |  |  |  |  |  |  |  |  |  |
|   | Clean Under Drive Cover (Power-Propelled Mowers)  |                 |   |  | ✓ |                |  |  |                  |                |  |  |  |                                |  |  |  |                |  |  |  |               |  |  |  |  |  |  |  |  |  |  |  |  |  |  |  |  |  |  |
|   | Check drive belt/pulleys (Power-Propelled Mowers) |                 |   |  |   |                |  |  | ✓                |                |  |  |  |                                |  |  |  |                |  |  |  |               |  |  |  |  |  |  |  |  |  |  |  |  |  |  |  |  |  |  |
|   | Check/Sharpen/Replace Blade                       |                 |   |  |   |                |  |  | ✓ <sub>3</sub>   |                |  |  |  |                                |  |  |  |                |  |  |  |               |  |  |  |  |  |  |  |  |  |  |  |  |  |  |  |  |  |  |
|   | Lubrication Chart                                 |                 |   |  |   |                |  |  | ✓                | ✓              |  |  |  |                                |  |  |  |                |  |  |  |               |  |  |  |  |  |  |  |  |  |  |  |  |  |  |  |  |  |  |
|   | Clean Battery/Recharge (Electric Start Mowers)    |                 |   |  |   |                |  |  | ✓                | ✓ <sub>4</sub> |  |  |  |                                |  |  |  |                |  |  |  |               |  |  |  |  |  |  |  |  |  |  |  |  |  |  |  |  |  |  |
| <b>E<br/>N<br/>G<br/>I<br/>N<br/>E</b>              | Check Engine Oil Level                            | ✓               |   |  |   |                |  |  |                  |                |  |  |  |                                |  |  |  |                |  |  |  |               |  |  |  |  |  |  |  |  |  |  |  |  |  |  |  |  |  |  |
|   | Change Engine Oil                                 |                 |   |  |   |                |  |  | ✓ <sub>1,2</sub> |                |  |  |  |                                |  |  |  |                |  |  |  |               |  |  |  |  |  |  |  |  |  |  |  |  |  |  |  |  |  |  |
|   | Clean Air Filter                                  |                 |   |  |   |                |  |  | ✓                |                |  |  |  |                                |  |  |  |                |  |  |  |               |  |  |  |  |  |  |  |  |  |  |  |  |  |  |  |  |  |  |
|   | Inspect Muffler                                   |                 |   |  |   |                |  |  | ✓                |                |  |  |  |                                |  |  |  |                |  |  |  |               |  |  |  |  |  |  |  |  |  |  |  |  |  |  |  |  |  |  |
|   | Clean or Replace Spark Plug                       |                 |   |  |   |                |  |  | ✓                |                |  |  |  |                                |  |  |  |                |  |  |  |               |  |  |  |  |  |  |  |  |  |  |  |  |  |  |  |  |  |  |
|   | Replace Air Filter Paper Cartridge                |                 |   |  |   |                |  |  | ✓ <sub>2</sub>   |                |  |  |  |                                |  |  |  |                |  |  |  |               |  |  |  |  |  |  |  |  |  |  |  |  |  |  |  |  |  |  |

- 1 - Change more often when operating under a heavy load or in high ambient temperatures.
- 2 - Service more often when operating in dirty or dusty conditions.
- 3 - Replace blades more often when mowing in sandy soil.
- 4 - Charge 48 hours at end of season.

## GENERAL RECOMMENDATIONS

The warranty on this lawn mower does not cover items that have been subjected to operator abuse or negligence. To receive full value from the warranty, operator must maintain mower as instructed in this manual. Some adjustments will need to be made periodically to properly maintain your unit. All adjustments in the Service and Adjustments section of this manual should be checked at least once each season.

- Once a year, replace the spark plug, replace air filter element and check blade for wear. A new spark plug and clean/new air filter element assures proper air-fuel mixture and helps your engine run better and last longer.
- Follow the maintenance schedule in this manual.

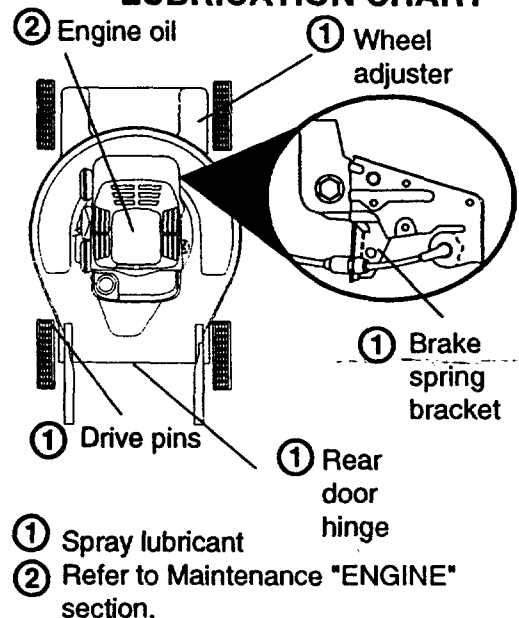
### BEFORE EACH USE

- Check engine oil level.
- Check for loose fasteners.

### LUBRICATION

Keep unit well lubricated (See "LUBRICATION CHART").

## LUBRICATION CHART



**IMPORTANT:** Do not oil or grease plastic wheel bearings. Viscous lubricants will attract dust and dirt that will shorten the life of the self lubricating bearings. If you feel they must be lubricated, use only a dry, powdered graphite type lubricant sparingly.

# PRODUCT SPECIFICATIONS

|  |   |
|--|---|
| MODEL NUMBER   | 917.377631                                    |
| SERIAL NUMBER  |   |
| DATE OF PURCHASE   |   |
| HORSEPOWER:  | 6.75  |
| DISPLACEMENT:  | 12.56 CU. IN.                                 |
| GASOLINE CAPACITY/ TYPE:   | 1.25 QUARTS<br>UNLEADED REGULAR               |
| OIL TYPE (API-SF/SG/SH):   | SAE 30 (ABOVE 32°F)<br>SAE 5W-30 (BELOW 32°F) |
| OIL CAPACITY:  | 20 OZS.                                       |
| SPARK PLUG(GAP: .030")   | CHAMPION RN4C                                 |
| VALVE CLEARANCE:   | INTAKE: .004 - .008<br>EXHAUST: .004 - .008   |
| SOLID STATE IGNITION   |   |
| AIR GAP:   | .0125 IN.                                     |
| BLADE BOLT TORQUE:   | 35-40 FT. LBS.                                |
| <p>• The model and serial numbers will be found on a decal attached to the rear of the lawn mower housing. Record both serial number and date of purchase in space provided above.</p> |   |

## LAWN MOWER

Always observe safety rules when performing any maintenance.

### TIRES

- Keep tires free of gasoline, oil, or insect control chemicals which can harm rubber.
- Avoid stumps, stones, deep ruts, sharp objects and other hazards that may cause tire damage.

### BLADE CARE

For best results, mower blade must be kept sharp. Replace bent or damaged blades.

#### TO REMOVE BLADE

- Disconnect spark plug wire from spark plug and place wire where it cannot come in contact with spark plug.
- Turn lawn mower on its side. Make sure air filter and carburetor are up.
- Use a wood block between blade and mower housing to prevent blade from turning when removing blade bolt.
- Protect your hands with gloves and/or wrap blade with heavy cloth.
- Remove blade bolt by turning counter-clockwise.

- Remove blade and attaching hardware (bolt, lock washer and hardened washer).

**NOTE:** Remove the blade adapter and check the key inside hub of blade adapter. The key must be in good condition to work properly. Replace adapter if damaged.

#### TO REPLACE BLADE

- Position the blade adapter on the engine crankshaft. Be sure key-in adapter and crankshaft keyway are aligned.
- Position blade on the blade adapter aligning the two (2) holes in the blade with the raised lugs on the adapter.
- Be sure the trailing edge of blade (opposite sharp edge) is up toward the engine.
- Install the blade bolt with the lock washer and hardened washer into blade adapter and crankshaft.
- Use block of wood between blade and lawn mower housing and tighten the blade bolt, turning clockwise.
- The recommended tightening torque is 35-40 ft. lbs.

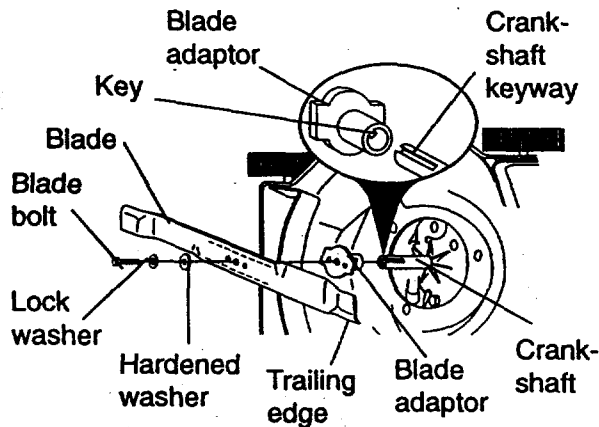
**IMPORTANT:** Blade bolt is grade 8 heat treated.

**NOTE:** We do not recommend sharpening blade - but if you do, be sure the blade is balanced.

### TO SHARPEN BLADE

Care should be taken to keep the blade balanced. An unbalanced blade will cause eventual damage to lawn mower or engine.

- The blade can be sharpened with a file or on a grinding wheel. Do not attempt to sharpen while on the mower.
- To check blade balance, drive a nail into a beam or wall. Leave about one inch of the straight nail exposed. Place center hole of blade over the head of the nail. If blade is balanced, it should remain in a horizontal position. If either end of the blade moves downward, sharpen the heavy end until the blade is balanced.



### GRASS CATCHER

- The grass catcher may be hosed with water, but must be dry when used.
- Check your grass catcher often for damage or deterioration. Through normal use it will wear. If catcher needs replacing, replace only with a manufacturer approved replacement catcher. Give the lawn mower model number when ordering.

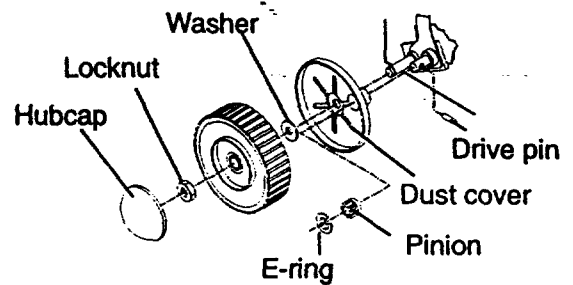
### DRIVE WHEELS

Check rear drive wheels each time you mow to be sure they move freely. The wheels not turning freely means trash, grass cuttings, etc., may be inside the drive wheel and dust cover area and must be cleaned out to free drive wheels. If necessary to clean the drive wheels, check both rear wheels.

- Remove hubcaps and locknuts.
- Remove wheels from wheel adjuster axles.
- Remove any trash or grass cuttings from inside the dust cover, pinion and/or drive wheel gear teeth.

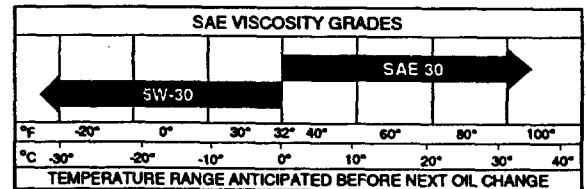
- The pinion gear must be installed with the left gear on the left side and with the right gear on the right side, from an operator's view.
- The pinion gear is stamped with an "L" (left) or "R" (right) on the inside. If installed incorrectly, the drive system will not work.
- Place wheels back on adjuster axles.
- Replace locknuts and hubcaps.

**NOTE:** Pinions and drive pawls should be cleaned and lubricated with grease approximately every 25 hours or once a year.



### ENGINE LUBRICATION

Use only high quality detergent oil rated with API service classification SF, SG or SH. Select the oil's SAE viscosity grade according to your expected operating temperature.



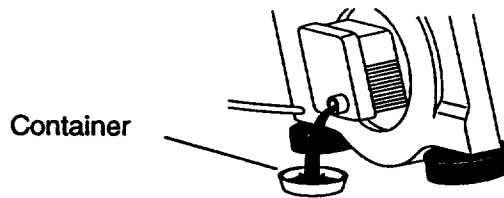
**NOTE:** Although multi-viscosity oils (5W30, 10W30 etc.) improve starting in cold weather, these multi-viscosity oils will result in increased oil consumption when used above 32°F. Check your engine oil level more frequently to avoid possible engine damage from running low on oil.

Change the oil after every 25 hours of operation or at least once a year if the lawn mower is not used for 25 hours in one year. Check the crankcase oil level before starting the engine and after each five (5) hours of continuous use. Tighten oil plug securely each time you check the oil level.

## TO CHANGE ENGINE OIL

**NOTE:** Before tipping lawn mower to drain oil, drain fuel tank by running engine until fuel tank is empty.

- Disconnect spark plug wire from spark plug and place wire where it cannot come in contact with spark plug.
- Remove engine oil cap; lay aside on a clean surface.
- Tip lawn mower on its side as shown and drain oil into a suitable container. Rock lawn mower back and forth to remove any oil trapped inside of engine.
- Wipe off any spilled oil on lawn mower and on side of engine.
- Fill engine with oil. Fill only to the "FULL" line on the dipstick. **DO NOT OVER FILL.**
- Replace engine oil cap.
- Reconnect spark plug wire to spark plug.

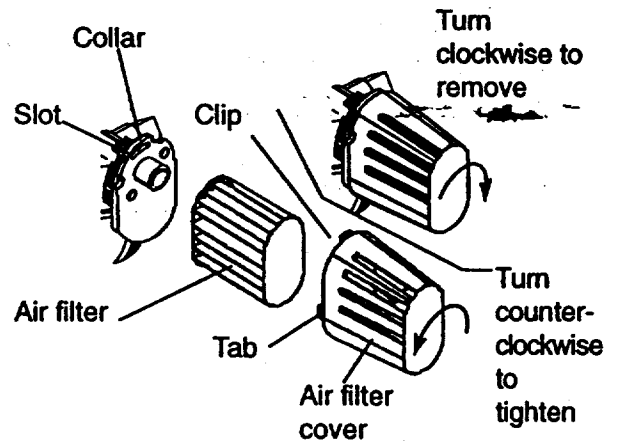


## AIR FILTER

Your engine will not run properly and may be damaged by using a dirty air filter. Replace the air filter every year, more often if you mow in very dusty, dirty conditions. Do not wash air filter.

### TO CHANGE AIR FILTER

- Remove the air filter by turning clockwise to the stop and pull away from collar.
- Remove filter from inside of cover.
- Clean the inside of the cover and the collar to remove any dirt accumulation.
- Insert new filter into cover.
- Put air filter cover and filter into collar aligning the tab with the slot.
- Push in on cover and turn counterclockwise to tighten.



## MUFFLER

Inspect and replace corroded muffler as it could create a fire hazard and/or damage.

## SPARK PLUG

Change your spark plug each year to make your engine start easier and run better. Set spark plug gap at .030 inch.

## CLEANING

**IMPORTANT:** For best performance, keep mower housing free of built-up grass and trash. Clean underside of mower housing after each use.

**CAUTION:** Disconnect spark plug wire from spark plug and place wire where it cannot come in contact with the spark plug.

- Turn lawn mower on its side. Make sure air filter and carburetor are up. Clean the underside of your lawn mower by scraping to remove build-up of grass and trash.
- Clean engine often to keep trash from accumulating. A clogged engine runs hotter and shortens engine life.
- Keep finished surfaces and wheels free of all gasoline, oil, etc.
- We do not recommend using a garden hose to clean lawn mower unless the electrical system, muffler, air filter and carburetor are covered to keep water out. Water in engine can result in shortened engine life.

## SERVICE AND ADJUSTMENTS

### CAUTION: BEFORE PERFORMING ANY SERVICE OR ADJUSTMENTS:

- Release control bar.
- Make sure the blade and all moving parts have completely stopped.
- Disconnect spark plug wire from spark plug and place where it cannot come in contact with plug.

### LAWN MOWER

#### TO ADJUST CUTTING HEIGHT

See "TO ADJUST CUTTING HEIGHT" in the Operation section of this manual.

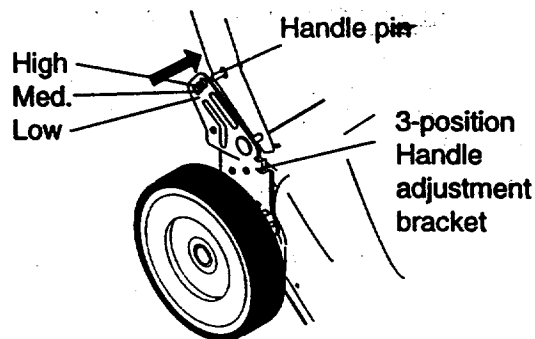
#### REAR DEFLECTOR

The rear deflector, attached between the rear wheels of your lawn mower, is provided to minimize the possibility that objects will be thrown out the rear of the lawn mower into the operator's mowing position. If the rear deflector becomes damaged, it should be replaced.

#### TO ADJUST HANDLE

The handle on your lawn mower has three (3) height positions - adjust to height that suits you.

- Squeeze the bottom ends of lower handle towards each other until the pin in handle can be inserted into one of the three height adjustment holes.



### ENGINE ENGINE SPEED

Your engine speed has been factory set. Do not attempt to increase engine speed or it may result in personal injury. If you believe that the engine is running too fast or too slow, take your lawn mower to an authorized service center/department for repair and adjustment.

### CARBURETOR

Your carburetor has a non-adjustable fixed main jet for mixture control. If your engine does not operate properly due to suspected carburetor problems, take your lawn mower to an authorized service center/department for repair and adjustment.

## STORAGE

Immediately prepare your lawn mower for storage at the end of the season or if the unit will not be used for 30 days or more.

### LAWN MOWER

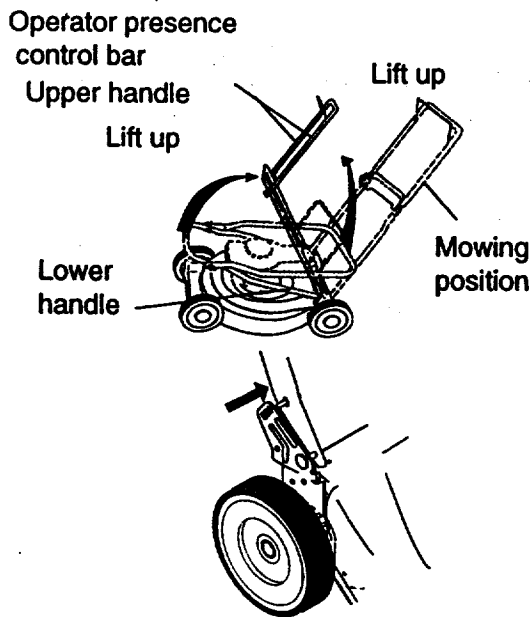
When lawn mower is to be stored for a period of time, clean it thoroughly, remove all dirt, grease, leaves, etc. Store in a clean, dry area.

- Clean entire lawn mower (See "CLEANING" in the Maintenance section of this manual).
- Lubricate as shown in the Customer Maintenance section of this manual.
- Be sure that all nuts, bolts, screws, and pins are securely fastened. Inspect moving parts for damage, breakage and wear. Replace if necessary.
- Touch up all rusted or chipped paint surfaces; sand lightly before painting.

### HANDLE

- You can fold your lawn mower handle for storage.
- Loosen the two (2) handle knobs on sides of the upper handle and allow handle to fold down to the rear.
- Squeeze the bottom ends of lower handle toward each other until pins in handle clear the brackets and pivot entire handle assembly forward and allow it to rest on mower.
- When setting up your handle from the storage position, the lower handle will require manually locking into the mowing position.

**IMPORTANT:** When folding the handle for storage or transportation be sure to fold the handle as shown or you may damage the control cables.



## ENGINE

### FUEL SYSTEM

**IMPORTANT:** It is important to prevent gum deposits from forming in essential fuel system parts such as carburetor, fuel filter, fuel hose, or tank during storage. Also, experience indicates that alcohol blended fuels (called gasohol or using ethanol or methanol) can attract moisture which leads to separation and formation of acids during storage. Acidic gas can damage the fuel system of an engine while in storage.

- Drain the fuel tank.
- Start the engine and let it run until the fuel lines and carburetor are empty.
- Never use engine or carburetor cleaner products in the fuel tank or permanent damage may occur.
- Use fresh fuel next season.

**NOTE:** Fuel stabilizer is an acceptable alternative in minimizing the formation of fuel gum deposits during storage. Add stabilizer to gasoline in fuel tank or storage container. Always follow the mix ratio found on stabilizer container. Run engine at least 10 minutes after adding stabilizer to allow the stabilizer to reach the carburetor. Do not drain the gas tank and carburetor if using fuel stabilizer.

## ENGINE OIL

Drain oil (with engine warm) and replace with clean engine oil. (See "ENGINE" in the Maintenance section of this manual).

### CYLINDER

- Remove spark plug.
- Pour one ounce (29 ml) of oil through spark plug hole into cylinder.
- Pull starter handle slowly a few times to distribute oil.
- Replace with new spark plug.

## BATTERY

Disconnect the battery from the engine connector and charge battery 48 hours.

### OTHER

- Do not store gasoline from one season to another.
- Replace your gasoline can if your can starts to rust. Rust and/or dirt in your gasoline will cause problems.
- If possible, store your unit indoors and cover it to give protection from dust and dirt.
- Cover your unit with a suitable protective cover that does not retain moisture. Do not use plastic. Plastic cannot breathe which allows condensation to form and will cause your unit to rust.

**IMPORTANT:** Never cover mower while engine and exhaust areas are still warm.

**CAUTION:** Never store the lawn mower with gasoline in the tank inside a building where fumes may reach an open flame or spark. Allow the engine to cool before storing in any enclosure.

## TROUBLE SHOOTING

| PROBLEM                          | CAUSE  | CORRECTION   |
|----------------------------------|--|--|
| <b>Will not start</b>            | <ul style="list-style-type: none"> <li>• Dirty air filter.</li> <li>• Out of fuel.</li> <li>• Stale fuel.</li> <li>• Water in fuel.</li> <li>• Spark plug wire is disconnected</li> <li>• Bad spark plug.</li> <li>• Loose blade or broken blade adapter.</li> <li>• Control bar in released position</li> <li>• Control bar defective</li> <li>• Weak battery</li> <li>• Disconnected battery connector.</li> </ul> | <ul style="list-style-type: none"> <li>• Clean/replace air filter.</li> <li>• Fill fuel tank.</li> <li>• Drain tank and refill with fresh clean fuel.</li> <li>• Drain fuel tank and carburetor and refill tank with fresh gasoline.</li> <li>• Connect wire to plug.</li> <li>• Replace spark plug.</li> <li>• Tighten blade bolt or replace blade adapter.</li> <li>• Depress control bar to handle.</li> <li>• Replace control bar.</li> <li>• Charge battery.</li> <li>• Connect battery to engine.</li> </ul> |
| <b>Loss of power</b>             | <ul style="list-style-type: none"> <li>• Rear of lawn mower housing/blade dragging in heavy grass.</li> <li>• Cutting too much grass.</li> <li>• Dirty air filter.</li> <li>• Buildup of grass, leaves and trash under mower.</li> <li>• Too much oil in engine.</li> <li>• Walking speed too fast.</li> </ul>   | <ul style="list-style-type: none"> <li>• Set in "Higher Cut" position.</li> <li>• Set in "Higher Cut" position.</li> <li>• Clean/replace air filter.</li> <li>• Clean underside of mower housing.</li> <li>• Check oil level.</li> <li>• Cut at slower walking speed.</li> </ul>   |
| <b>Poor cut - uneven</b>         | <ul style="list-style-type: none"> <li>• Worn, bent or loose blade.</li> <li>• Wheel heights uneven.</li> <li>• Buildup of grass, leaves, and trash under mower.</li> </ul>  | <ul style="list-style-type: none"> <li>• Replace blade. Tighten blade bolt.</li> <li>• Set all wheels at same height.</li> <li>• Clean underside of mower housing.</li> </ul>  |
| <b>Excessive vibration</b>       | <ul style="list-style-type: none"> <li>• Worn, bent or loose blade.</li> <li>• Bent engine crankshaft.</li> </ul>  | <ul style="list-style-type: none"> <li>• Replace blade. Tighten blade bolt.</li> <li>• Contact an authorized service center/department.</li> </ul>   |
| <b>Starter rope hard to pull</b> | <ul style="list-style-type: none"> <li>• Engine flywheel brake is on when control bar is released.</li> <li>• Bent engine crankshaft</li> <li>• Blade adapter broken.</li> <li>• Blade dragging in grass.</li> </ul>   | <ul style="list-style-type: none"> <li>• Depress control bar to upper handle before pulling starter rope.</li> <li>• Contact an authorized service center/department.</li> <li>• Replace blade adapter.</li> <li>• Move lawn mower to cut grass or to hard surface to start engine.</li> </ul>   |



## TROUBLE SHOOTING

| <b>PROBLEM</b>  | <b>CAUSE</b>  | <b>CORRECTION</b>   |
|---|---|---|
| <b>Loss of drive<br/>(Self-Propelled<br/>Mowing)</b>      | <ul style="list-style-type: none"><li>• Drive wheels not turning with drive control engaged.</li><li>• Belt not driving.</li></ul>  | <ul style="list-style-type: none"><li>• Adjust or replace drive control cable, if broken.</li><li>• Put belt on pulleys or replace belts if broken.</li></ul>   |
| <b>Grass catcher<br/>not filling (if so<br/>equipped)</b> | <ul style="list-style-type: none"><li>• Cutting height too low.</li><li>• Lift on blade worn off.</li><li>• Catcher not venting air.</li></ul>  | <ul style="list-style-type: none"><li>• Raise cutting height.</li><li>• Replace blade.</li><li>• Clean grass catcher.</li></ul>   |
| <b>Hard to push</b>                                       | <ul style="list-style-type: none"><li>• Grass is too high or wheel height is too low.</li><li>• Rear of lawn mower housing/blade dragging in grass.</li><li>• Grass catcher too full.</li><li>• Handle height position not right for you.</li></ul> | <ul style="list-style-type: none"><li>• Raise cutting height.</li><li>• Raise rear of lawn mower housing one (1) setting higher.</li><li>• Empty grass catcher.</li><li>• Adjust handle height to suit.</li></ul> |

## TABLA DE MATERIAS

|                           |    |                               |                                   |
|---------------------------|----|-------------------------------|-----------------------------------|
| Garantía                  | 18 | Especificaciones del Producto | 27                                |
| Reglas de Seguridad       | 18 | Servicio y Ajustes            | 30                                |
| Montaje                   | 20 | Almacenamiento                | 30                                |
| Operación                 | 22 | Identificación de problemas   | 32                                |
| Mantenimiento             | 26 | Partes de repuesto            | Vea el manual<br>inglés del dueño |
| Programa de Mantenimiento | 26 | Orden de Partes               | Contratapa                        |

## GARANTÍA

### GARANTÍA LIMITADA DE DOS AÑOS PARA LA SEGADORA A MOTOR CRAFTSMAN

Por dos (2) años, a partir de la fecha de compra, cuando esta Segadora Craftsman se mantenga, lubrique y afine según las instrucciones para la operación y el mantenimiento en el manual del dueño, Sears reparará gratis todo defecto en el material y la mano de obra.

Si la Segadora Craftsman se usa para fines comerciales o de arriendo, esta garantía sólo se aplica por noventa (90) días a partir de la fecha de compra.

Esta Garantía no cubre:

- Artículos que se desgastan durante el uso normal tales como las cuchillas segadoras rotatorias, los adaptadores de la cuchilla, las correas, los filtros de aire y las bujías.
- Reparaciones necesarias debido al abuso o a la negligencia del operador, incluyéndose a los cigüeñales doblados y a la falta de mantenimiento del equipo según las instrucciones que se incluyen en el manual del dueño.

EL SERVICIO DE GARANTÍA ESTA DISPONIBLE al devolver la segadora a motor Craftsman al centro/ departamento de servicio Sears mas cercano en los Estados Unidos. Esta garantía se aplica solamente mientras el producto este en uso en los Estados Unidos.

Esta Garantía le otorga derechos legales específicos, y puede que también tenga otros derechos que varían de estado a estado.

Sears, Roebuck and Co., D/817WA, Hoffman Estates, IL 60179 USA

## REGLAS DE SEGURIDAD

Los estándares de seguridad exigen la presencia del operador en los controles para reducir a un mínimo el riesgo de lesionarse. Su unidad viene equipada con dichos controles. Por ningún motivo trate de eliminar la función de los controles que exigen la presencia del operador.

### ENTRENAMIENTO:

- Lea este manual del operador cuidadosamente. Familiarícese con los controles y aprenda a operar su segadora en forma adecuada. Aprenda a parar su segadora rápidamente.
- No permita que los niños usen su segadora. Nunca permita que los adultos operen la segadora sin contar con las instrucciones adecuadas.
- Mantenga el área de operación despejada de gente, especialmente de niños pequeños y de animales domésticos.
- Use la segadora solamente para los fines

propuestos por el fabricante y según las explicaciones descritas en este manual.

- No opere la segadora si se ha caído o dañado en cualquiera forma. Siempre repare los daños antes de usarla.
- No use accesorios que no hayan sido recomendados por el fabricante. El uso de dichos accesorios puede ser peligroso.
- La cuchilla gira cuando el motor está funcionando.

### PREPARACIÓN:

- Siempre revise cuidadosamente el área que se va a segar y despéjela de todas las piedras, palos, alambres, huesos y otros objetos extraños. Estos objetos serán lanzados con la cuchilla y pueden producir lesiones graves.
- Siempre use anteojos de seguridad o protectores de ojos cuando arranque y durante el tiempo que use la segadora.
- Vístase en forma adecuada. No opere la segadora sin zapatos o con sandalias mientras que el motor está funcionando.

- Siégue siempre durante el día o con buena luz artificial.

### **OPERACIÓN:**

- Mantenga sus ojos y su mente en la segadora y en el área que se está cortando. No permita que otros intereses lo distraigan.
- No corte césped mojado o resbaloso. Nunca corra mientras esté operando su segadora. Siempre asegúrese de mantener el equilibrio - mantenga el mango agarrado firmemente y camine.
- No ponga las manos o los pies cerca o debajo de las partes rotatorias. Manténgase alejado de la abertura de descarga en todo momento.
- Siempre pare el motor cuando se vaya cuando no esté usando su segadora, o antes de atravesar las entradas para autos, los senderos, caminos y áreas cubiertas de ripio.
- Nunca dirija la descarga del material hacia los espectadores ni permita a nadie cerca de la segadora mientras la esté operando.
- Antes de limpiar, inspeccionar o de reparar la segadora, pare el motor y esté completamente seguro de que la cuchilla y que todas las partes que se mueven se hayan detenido. Luego, desconecte el alambre de la bujía y manténgalo alejado de ésta para evitar el arranque por accidente.
- No continúe haciendo funcionar su segadora si se pega a un objeto extraño. Siga el procedimiento descrito anteriormente, luego repare cualquier daño antes de volver a arrancar y de operar su segadora.
- No cambie los ajustes del regulador o haga que el motor ande a una velocidad excesiva. Se pueden producir daños en el motor y lesiones personales.
- No opere su segadora si vibra fuera de lo normal. La vibración excesiva es una indicación de daño; pare el motor, revise en forma segura la causa de la vibración y haga las reparaciones según sea necesario.
- No haga funcionar el motor en recintos cerrados. Los gases de escape son peligrosos.
- Nunca corte el césped tirando la segadora hacia usted. Siégue a través de la cara de las pendientes, nunca hacia arriba o hacia abajo pues puede perder el equilibrio. No siégue pendientes demasiado empinadas. Tenga cuidado cuando opere la segadora en terreno disparejo o cuando cambie de dirección - mantenga un buen equilibrio.

- Nunca opere la segadora sin las protecciones adecuadas, las planchas, el recogedor de césped y otros dispositivos de seguridad en su lugar.

### **MANTENIMIENTO Y ALMACENAMIENTO:**

- Revise la cuchilla y los pernos de montaje del motor a menudo, para asegurarse que están apretados en la forma adecuada.
- Revise todos los pernos, tuercas y tornillos a intervalos frecuentes, para verificar si están apretados en forma adecuada, y asegurarse que la segadora se encuentra en condiciones de funcionamiento seguro.
- Mantenga todos los dispositivos de seguridad en su lugar y listos para funcionar.
- Para reducir el peligro de incendio, mantenga el motor sin césped, hojas y grasa o aceite en exceso.
- Revise el recogedor de césped a menudo para verificar si hay deterioro y desgaste y cambie las bolsas desgastadas. Use solamente las bolsas de repuesto recomendadas por el fabricante de su segadora o que cumplen con las especificaciones de éste.
- Siempre mantenga una cuchilla afilada en su segadora.
- Siempre permita que el motor se enfríe antes de guardarla en cualquier recinto cerrado.
- Nunca guarde la segadora con combustible en el estanque dentro de un edificio en donde los gases pueden alcanzar una llama expuesta o una fuente de ignición, tal como el calentador de agua, la estufa de calefacción, la secadora de ropa, etc.




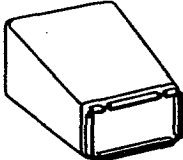


**PRECAUCIÓN:** Siempre desconecte el alambre de la bujía y póngalo donde no pueda entrar en contacto con la bujía, para evitar el arranque por accidente, durante la preparación, el transporte, el ajuste o cuando se hacen reparaciones.

**PRECAUCIÓN:** Es conocido por el Estado de California que los gases de escape del motor de este productor contienen químicos los cuales a ciertos niveles, pueden ocasionar, cáncer, defectos de nacimiento, y otros daños al sistema reproductivo.

## ACCESORIOS PARA LA SEGADORA

Estos accesorios estaban disponibles cuando se produjo la segadora. También están disponibles en la mayoría de las tiendas de Sears y en los centros de servicio. La mayoría de las tiendas Sears también pueden mandar a pedir partes de repuesto para usted, si les proporciona el número del modelo de su segadora. Algunos de estos accesorios tal vez no se apliquen a su segadora.

### RENDIMIENTO DE LA SEGADORA

|  |   |   |
|--|---|---|
|  <p><b>DESVIADOR DE RECORTES</b><br/>PARA SEGADORAS CON DESCARGA TRASERA</p>  |  <p><b>JUEGOS PARA LA ACOLCHADORA</b></p>                                     |  <p><b>ESTABILIZADORES</b></p>         |
|  <p><b>RECORREDOR</b><br/>PARA<br/>SEGADORAS<br/>CON DESCARGA<br/>TRASERA</p> |  <p><b>RECORREDOR</b><br/>PARA<br/>SEGADORAS<br/>CON DESCARGA<br/>LATERAL</p> |  <p><b>ENVASES</b><br/>DE GASOLINA</p> |

### MANTENIMIENTO DE LA SEGADORA

|   |  |   |   |   |
|---|--|---|---|---|
|  <p><b>SILENCIADORES</b></p> |  |  <p><b>FILTROS DE AIRE</b></p>              |   |  <p><b>BUJÍAS</b></p>                |
|  <p><b>CORREAS</b></p>      |  <p><b>CUCHILLAS</b></p> |  <p><b>ADAPTADORES</b><br/>DE CUCHILLA</p> |  <p><b>RUEDAS</b></p> |  <p><b>ACEITE</b><br/>DEL MOTOR</p> |

## MONTAJE

Lea estas instrucciones y este manual completamente antes de tratar de montar u operar su segadora nueva. Su segadora nueva ha sido montada en la fábrica con la excepción de aquellas partes que se dejaron sin montar por razones de envío. Todas las partes como las tuercas, las arandelas, los pernos, etc., que son necesarias para completar el montaje han sido colocadas en la bolsa de partes. Para asegurarse que su segadora funcione en forma segura y adecuada, todas las partes y los artículos de ferretería que se monten tienen que ser apretados seguramente. Use las herramientas correctas, como sea necesario, para asegurar que se aprieten adecuadamente.

### PARA REMOVER LA SEGADORA DE LA CAJA DE CARTÓN

- Remueva las partes sueltas que se incluyen con la segadora.
- Corte las dos esquinas de los extremos de la caja de cartón y tienda el panel del extremo plano.
- Remueva todo el material de empaque, excepto la cuña entre el mango superior y el inferior, y la cuña que sujeta la barra de los control que exige la presencia del operador junto con el mango superior.

- Haga rodar la segadora hacia afuera de la caja de cartón y revísela cuidadosamente para verificar si todavía quedan partes sueltas adicionales.

### COMO PREPARAR SU SEGADORA

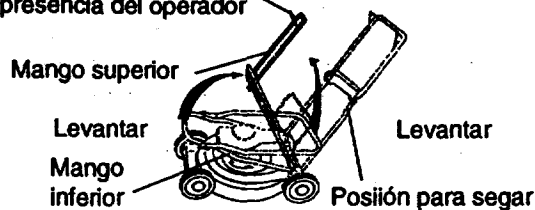
#### PARA DESDOBLAR EL MANGO

**IMPORTANTE:** Despliegue el mango con mucho cuidado para no pellizcar o dañar los cables de control.

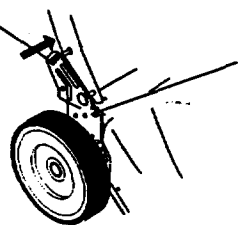
- Levante la sección del mango inferior hasta la posición de operación y alinee el agujero en éste con uno de los tres agujeros para determinar la altura en el puntal del mango.
- Inserte el perno del mango a través de éste y del puntal y asegúrelo con la manilla.
- Repita el procedimiento para el lado opuesto del mango.
- Levante la sección del mango superior hasta la posición de operación, remueva la cuña protectora y apriete las manillas del mango en forma segura.
- Remueva el material de empaque de alrededor de la barra de control.

- Sus mangos pueden ajustarse para que le acomode al segar. Refiérase a la sección de Servicio y Ajustes en este manual

Barra de control que exige la presencia del operador



Pinza del mango



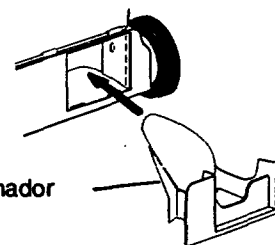
Soporte de ajuste  
Mango de 3 posiciones

## PARA INSTALAR LOS ACCESORIOS

Su segadora fue enviada lista para usarse como una acolchadora de capa vegetal. Para convertirla de modo que pueda ensacar o descargar:

- Abra la puerta trasera y remueva la tapon acolchadora. Guárdela en un lugar seguro.
- Ahora puede instalar el recogedor o el desviador de recortes opcional.
- Para volver a la operación de acolchamiento con capa vegetal, instale la tapon acolchadora en la abertura de descarga de la segadora.

**PRECAUCIÓN:** No haga funcionar su segadora sin la tapon acolchadora aprobada en su lugar, o sin el desviador de recortes, o sin el recogedor de césped, aprobados, en su lugar. Nunca trate de operar la segadora cuando se ha removido la puerta trasera o cuando está un poco abierta.



Tapón acolchador

## PARA PREPARAR LA BATERÍA

**AVISO:** Su batería tiene que estar cargada antes de que pueda hacer arrancar su segadora.

- Desconecte el conector del motor (macho) al conector de la batería (hembra).
- Conecte el conector del cargador de la batería (macho) al conector de la batería (hembra).
- Enchufe el cargador de la batería dentro del enchufe de 110 volt C.A.
- Deje el cargador de la batería conectado por 24 horas antes de hacer arrancar su motor por la primera vez.
- Después de cargar, conecte el conector del motor al conector de la batería.

Su motor cuenta con un alternador integrado para carga parcial. Conecte su cargador de batería para cargarla según sea necesario.

**IMPORTANTE:** El alternador del motor no cargara una batería descargada.

Al final de la temporada de siega, la batería se debe cargar por 48 horas para protegerla durante el período de almacenamiento en el invierno.

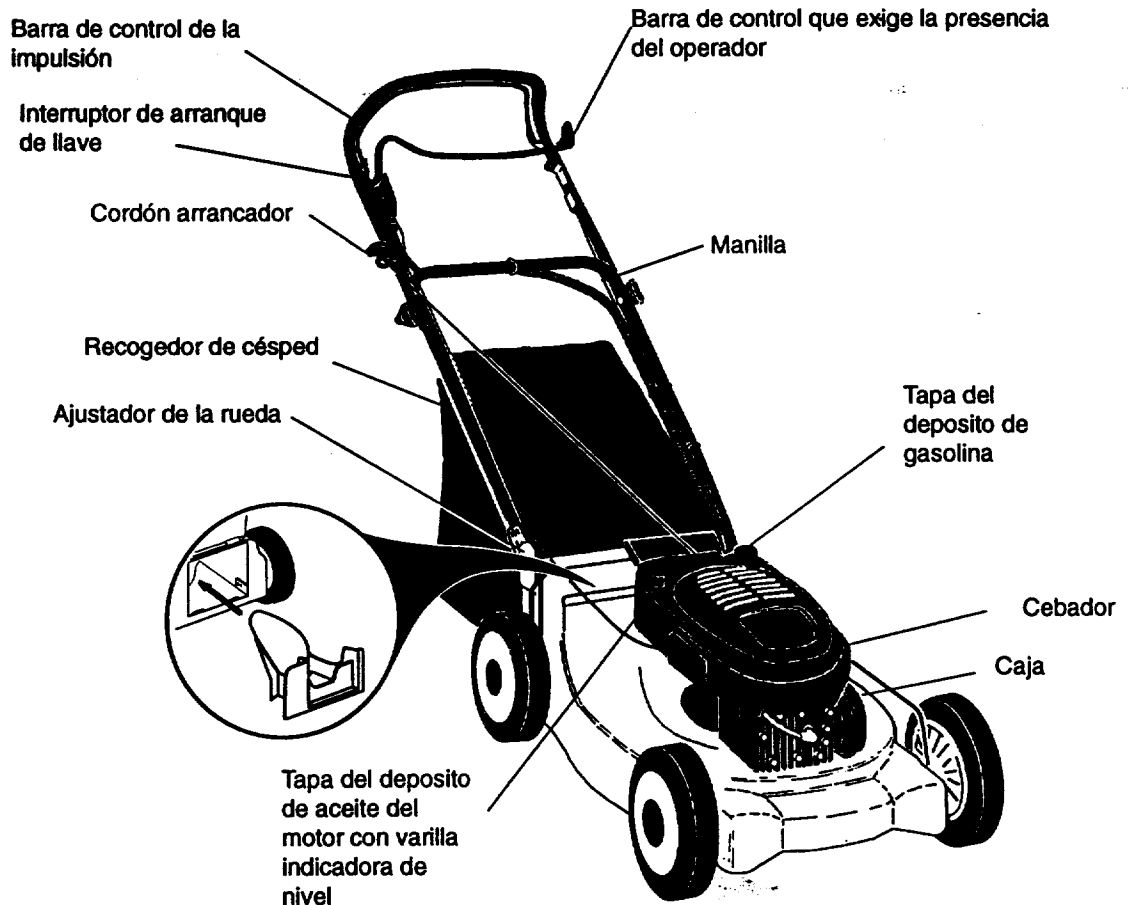
**PRECAUCIÓN:** Siempre desconecte el conector del motor del conector de la batería para evitar el arranque por accidente al transportar o guardar su segadora después de la temporada.

# OPERACIÓN

## FAMILIARICESE CON SU SEGADORA

LEA ESTE MANUAL DEL DUEÑO Y LAS REGLAS DE SEGURIDAD ANTES DE OPERAR SU SEGADORA. Compare las ilustraciones con su segadora para familiarizarse con la ubicación de los diversos controles y ajustes. Guarde este manual para referencia en el futuro.

Estos símbolos pueden aparecer sobre su segadora o en la literatura proporcionada con el producto. Aprenda y comprenda sus significados.



### CUMPLE CON LOS REQUISITOS DE SEGURIDAD DE LA CPSC

Las segadoras a motor, que se conducen desde la parte de atrás, rotatorias, Sears, cumplen con los estándares de seguridad del American National Standards Institute y de la U.S. Consumer Product Safety Commission. La cuchilla gira cuando el motor está funcionando.

**Barra de control que exige la presencia del operador** – tiene que sujetarse abajo, junto con el mango, para hacer arrancar el motor. Suéltela para parar el motor.

**Cebador** – bombea combustible adicional desde el carburador al cilindro para uso cuando se necesita hacer arrancar un motor frío.

**Cordón arrancador** – se usa para hacer arrancar el motor.

**Barra de control de la impulsión** – se usa para enganchar la segadora para movimiento hacia adelante impulsada a motor.

**Tapon de la acolchadora** – situada en la abertura de la descarga trasera y debe ser quitada cuando se convierte la operación de ensacado a descarga.

**Interruptor de arranque de llave** – se usa para hacer arrancar el motor.

La operación de cualquier segadora puede hacer que salten objetos extraños dentro de sus ojos, lo que puede producir daños graves en éstos. Siempre use anteojos de seguridad o protección para los ojos mientras opere su segadora o cuando haga ajustes o reparaciones. Recomendamos una máscara de seguridad de visión amplia, para uso espejuelos o anteojos de seguridad estandarte.

#### CONTROL DE LA VELOCIDAD DEL MOTOR

La velocidad del motor se estableció en la fábrica para un rendimiento óptimo. La velocidad no se puede ajustar.

#### CONTROL DE ZONA DEL MOTOR

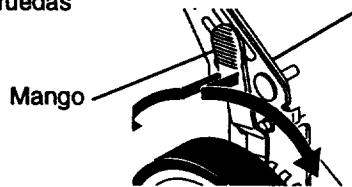
**PRECAUCIÓN:** Las regulaciones federales exigen que se instale un control para el motor en esta segadora para reducir a un mínimo el riesgo de lesionarse debido al contacto con la cuchilla. Por ningún motivo trate de eliminar la función del control del operador. La cuchilla gira cuando el motor está funcionando.

- Su segadora viene equipada con una barra de control que exige la presencia del operador, lo que requiere que el operador esté detrás del mango de la segadora para hacerla arrancar y operarla.

#### PARA AJUSTAR LA ALTURA DE CORTE

- Las cuatro ruedas son ajustadas con una palanca única.
- Tire de la palanca de ajustes hacia la rueda. Levante la segadora, mueva la palanca hasta delante a la posición deseada. Para bajar la segadora, mueva la palanca hacia la retaguardia.

Para un corte alto, baje las ruedas



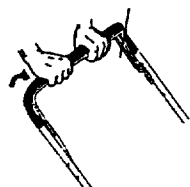
Para un corte bajo, levante las ruedas

#### EL IMPULSIÓN

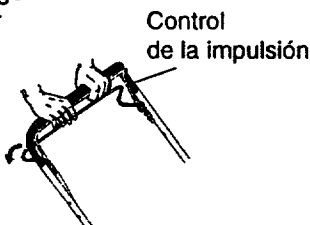
- Para arrancar en movimiento hacia adelante, tire la barra de control de la impulsión hacia el mango.
- Para parar el movimiento hacia adelante, alivie la barra de control de la impulsión.

**IMPORTANTE:** durante la utilización, guarde siempre la barra de control de la impulsión en contra del mango.

Barra con control que exige la presencia del operador



Para engranchar el control de la impulsión

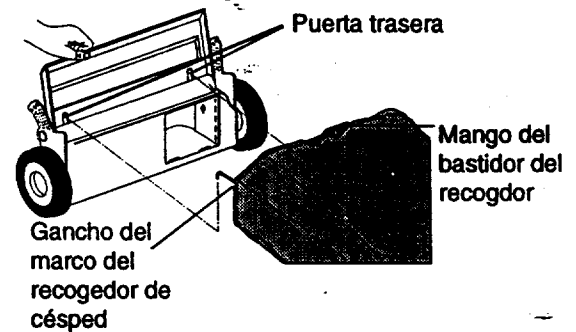


Control de la impulsión desenganchado

#### PARA MONTAR Y ADJUNTAR EL RECOGEDOR DE CÉSPED

- Levante la puerta trasera de la segadora de césped y ponga el marco del recogedor de césped a dentro de las ranuras de la puerta trasera.
- El recogedor de césped queda asegurado en la caja de la segadora cuando se baja la puerta trasera para descansar en el bastidor del recogedor de césped.

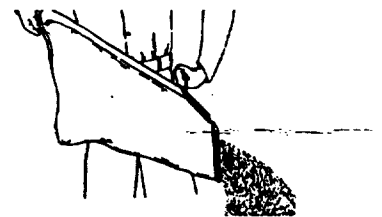
**PRECAUCIÓN:** No haga funcionar su segadora sin el desviador de recortes o sin el recogedor de césped, aprobados, en su lugar. Nunca trate de operar la segadora cuando se ha removido la puerta trasera o cuando está un poco abierta.



#### PARA VACIAR EL RECOGEDOR DE CÉSPED

- Levante el recogedor de césped usando el mango del bastidor.
- Remueva el recogedor de césped, con los recortes, de debajo del mango de la segadora.
- Vacíe los recortes de la bolsa usando tanto el mango del bastidor como el de la bolsa.

**AVISO:** No arrastre la bolsa cuando la vacíe; se producirá un desgaste innecesario.



#### ANTES DE HACER ARRANCAR EL MOTOR ACEITE

Su segadora fue enviada sin aceite en el motor.

- Asegúrese que la segadora esté nivelada y que el área alrededor del depósito de aceite esté limpia.
- Reueva el tapa del depósito del aceite con la varilla indicadora de nivel y rellene hasta la línea de lleno en ésta.
- Use 20 oz. de aceite. Para el tipo y la calidad vea "MOTOR" en la sección de las "Mantenimiento" en este manual.
- Vacíe el aceite lentamente. No lo llene demasiado.

- Revise el nivel del aceite antes de cada uso. Agregue aceite si es necesario. Llene hasta la línea de lleno en la varilla indicadora de nivel.
- Vuelva a instalar la tapa del depósito de aceite del motor y apriétela.
- Cambie el aceite después de 25 horas de operación o por lo menos una vez al año si la segadora se utiliza menos de 25 horas al año. Puede necesitar cambiar el aceite más a menudo cuando las condiciones son polvorosas o sucias.

## GASOLINA

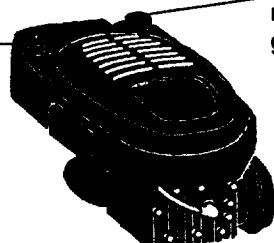
- Llene el estanque de combustible. Use gasolina regular, sin plomo, nueva y limpia con el mínimo de 87 octanos. (El uso de gasolina con plomo aumentará los depósitos de óxido de plomo y carbono y se reducirá la duración de la válvula). No mezcle el aceite con la gasolina. Para asegurar que la gasolina utilizada sea fresca compre estanques los cuales puedan ser utilizados durante los primeros 30 días.

**IMPORTANTE:** Cuando se opere en temperaturas por debajo de 32° F (0° C) use gasolina de calidad de invierno, imvorno, limpia y nueva para ayudar a asegurar un buen arranque in clima frio.

**ADVERTENCIA:** La experiencia ha indicado que los combustibles mezclados con alcohol (conocidos como gasohol, o el uso de etanol o metanol) pueden atraer la humedad, la que conduce a la separación y formación de ácidos durante el almacenamiento. La gasolina ácida puede dañar el sistema del combustible de un motor durante el almacenamiento. Para evitar los problemas con el motor, se debe vaciar el sistema de combustible antes de guardarlo por un período de 30 días o más. Vacíe el estanque de combustible, haga arrancar el motor y hágalo funcionar hasta que las líneas del combustible y el carburador queden vacíos. La próxima temporada use combustible nuevo. Vea las Instrucciones para el Almacenamiento para más información. Nunca use productos de limpieza para el motor o para el carburador en el estanque del combustible pues se pueden producir daños permanentes.

**PRECAUCIÓN:** Llene hasta la parte inferior del cuello de relleno del estanque de gasolina. No lo llene demasiado. Limpie el aceite o el combustible derramado. No almacene, derrame o use gasolina cerca de una llama expuesta.

Tapa del depósito de aceite con varilla indicadora de nivel



Tapa del rellenedor de gasolina

## PARA HACER ARRANCAR EL MOTOR

- Para hacer arrancar un motor frio, empuje el cebador cinco (5) veces antes de tratarlo. Use un empuje firmemente. Este paso normalmente no es necesario cuando se hace arrancar un motor que ya ha estado funcionando por unos cuantos minutos.
- Mueva la palanca de control de velocidad a la posición de rápido.
- Sujete la barra de control que exige la presencia del operador abajo en el mango.
- Gire la llave para el arranque eléctrico en el sentido de las manillas del reloj para hacer arrancar el motor.

**IMPORTANTE:** No haga arrancar el motor más de 5 segundos continuados. Espere 5 a 10 segundos entre cada vez que trate de hacerlo arrancar.

- Para hacer arrancar el motor usando la manilla del arrancador auxiliar, siga los pasos anteriores. Intercambie el uso de la llave del arranque eléctrico por el cordón arrancador. Tire la manilla arrancadora rápidamente. No permita que el cordón arrancador se devuelva abruptamente.
- Para parar el motor, suelte la barra de control que exige la presencia del operador.

## CONSEJOS PARA SEGAR

- Bajo ciertas condiciones, tal como césped muy alto, puede ser necesario el elevar la altura del corte para reducir el esfuerzo necesario para empujar la segadora y para evitar sobrecargar el motor, dejando montones de recortes de césped.
- Para un corte muy pesado, reduzca el ancho del corte pasando parcialmente por encima del lugar anteriormente cortado y siegue lentamente.
- Cuando use una segadora con descarga trasera en césped húmedo y pesado, los montones del césped cortado puede que no entren en el recogedor de césped. Reduzca la velocidad del recorrido (velocidad de empuje) y/o haga funcionar la segadora sobre el área por segunda vez.
- Si queda una huella de cortes en el lado derecho de una segadora con descarga trasera, siegue en la dirección en que giran las manillas del reloj, solapando un poco para recaudar los recortes en la próxima pasada.
- Los poros en los recogedores de césped de tela pueden llenarse con mugre y polvo con el uso y los recogedores recaudarán menos césped. Para evitar esto, rocíe el recogedor con la manguera de agua regularmente y déjelo secarse antes de usarlo.



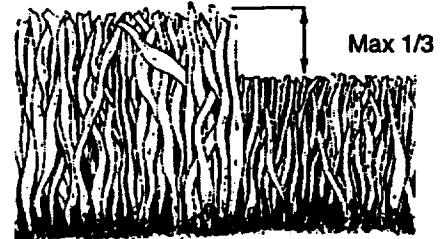
- Mantenga la parte superior del motor, alrededor del arrancador, despejada y sin recortes de césped y paja. Esto ayudará el flujo del aire del motor y extenderá su duración.

## CONSEJOS PARA SEGAR Y ACOLCHAR

**IMPORTANTE:** Para obtener el mejor rendimiento mantenga la caja de la segadora sin acumulación de césped y basura. Vea "LIMPIEZA" en la sección de Mantenimiento de este manual.

- La cuchilla acolchadora especial va a volver a cortar los recortes de césped muchas veces, y los reduce en tamaño, de modo que si se caen en el césped se van a dispersar entre éste y no se van a notar. También, el césped acolchado se va a deshacer rápidamente entregando substancias nutritivas para el césped. Siempre acolche con la velocidad del motor (cuchilla) más alta, pues así se obtendrá la mejor acción de recorte de las cuchillas.
- Evite cortar el césped cuando esté mojado. El césped mojado tiende a formar montones e interfiere con la acción de acolchado. La mejor hora para segar el césped es temprano en la tarde. A esa hora éste se ha secado y el área recién cortada no quedará expuesta al sol directo.

- Para obtener los mejores resultados, ajuste la altura del corte de la segadora de modo que ésta corte solamente el tercio superior de las hojas de césped. En el caso de que el césped haya crecido demasiado, puede ser necesario el elevar la altura del corte para reducir el esfuerzo necesario para empujar la segadora y para evitar sobrecargar el motor, dejando montones de recortes de césped. Para un acolchamiento muy pesado, reduzca el ancho del corte pasando por encima del lugar anteriormente cortado y siegue lentamente.
- Ciertos tipos de césped y sus condiciones pueden exigir que un área tenga que ser acolchada por segunda vez para esconder completamente los recortes. Cuando se haga el segundo corte, siegue atravesado o en forma perpendicular a la pasada del primer corte.
- Cambie su patrón de corte de semana a semana. Siegue de norte a sur una semana y luego cambie de este a oeste la próxima semana. Esto evitará que el césped se enrede y cambie de dirección.



# MANTENIMIENTO

| PROGRAMA DE MANTENIMIENTO                                  |   | FECHAS DE SERVICIO |                     |               |                                |                          |
|--|---|--------------------|---------------------|---------------|--------------------------------|--------------------------|
| LLENE LAS FECHAS A MEDIDA QUE COMPLETE SU SERVICIO REGULAR |   | ANTES DE CADA USO  | DESPUES DE CADA USO | CADA 10 HORAS | CADA 25 HORAS O CADA TEMPORADA | ANTES DEL ALMACENAMIENTO |
| S<br>E<br>G<br>A<br>D<br>O<br>R<br>A                       | Revisar si hay sujetadores sueltos  | ✓                  |                     |               |                                | ✓                        |
|  | Limpiar/inspeccionar el recogedor de césped (si viene equipado)                 | ✓                  | ✓                   |               |                                | ✓                        |
|  | Limpiar la segadora   |                    | ✓                   |               |                                | ✓                        |
|  | Limpiar debajo de la cubierta de la transmisión (segadoras con poder propulsor) |                    |                     | ✓             |                                |                          |
|  | Revisar las correas y las poleas impulsadas (segadoras con poder propulsor)     |                    |                     |               | ✓                              |                          |
|  | Revisar o/afilarse/cambiar la cuchilla  |                    |                     |               | ✓ <sup>3</sup>                 |                          |
|  | Tabla de lubricación  |                    |                     |               | ✓                              | ✓                        |
|  | Limpiar la batería/recargar (segadoras con arranque eléctrico)                  |                    |                     |               | ✓                              | ✓ <sup>4</sup>           |
| M<br>O<br>T<br>O<br>R                                      | Revisar el nivel del aceite   | ✓                  |                     |               |                                |                          |
|  | Cambiar el aceite del motor   |                    |                     |               | ✓ <sup>1,2</sup>               |                          |
|  | Limpiar el filtro de aire   |                    |                     |               | ✓ <sup>2</sup>                 |                          |
|  | Inspeccionar el silenciador   |                    |                     |               | ✓                              |                          |
|  | Limpiar o/cambiar la bujía  |                    |                     |               | ✓                              |                          |
|  | Cambiar el cartucho de papel del filtro de aire                                 |                    |                     |               | ✓ <sup>2</sup>                 |                          |

- 1 - Cambiar más a menudo cuando se opere bajo carga pesada o en ambientes con altas temperaturas.
- 2 - Dar servicio más a menudo cuando se opere en condiciones sucias o polvorosas.
- 3 - Cambie las cuchillas más a menudo cuando siegue en terreno arenoso.
- 4 - Cargar por 48 horas al fin de la temporada.

## RECOMENDACIONES GENERALES

La garantía de esta segadora no cubre los artículos que han estado sujetos al abuso o a la negligencia del operador. Para recibir todo el valor de la garantía, el operador tiene que mantener la segadora según las instrucciones descritas en este manual.

Hay algunos ajustes que se tienen que hacer en forma periódica para poder mantener su unidad adecuadamente.

Todos los ajustes en la sección de Servicio y Ajustes de este manual tienen que ser revisados por lo menos un vez por cada temporada.

- Una vez al año, cambie la bujía, limpie o cambie el elemento del filtro de aire y revise si la cuchilla está desgastada. Una bujía nueva y un elemento del filtro de aire limpio/nuevo aseguran la mezcla de aire-combustible adecuada y ayudan a que su motor funcione mejor y que dure más.
- Siga el programa de mantenimiento en este manual.

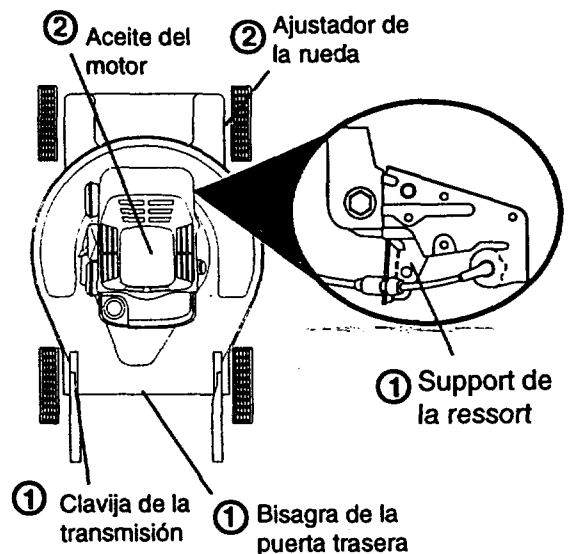
### ANTES DE CADA USO

- Revise el nivel del aceite del motor.
- Revise si hay sujetadores sueltos.

### LUBRICACIÓN

Mantenga la unidad bien lubricada (vea la "TABLA DE LUBRICACIÓN").

## TABLA DE LUBRICACIÓN



- ① Roci el lubricante
- ② Refierase a la sección de Mantenimiento en "MOTOR"

**IMPORTANTE:** No aceite o engrase los rodamientos de la rueda de plástico. Los lubricantes viscosos atraerán polvo y mugre, lo que acortará la duración de los rodamientos autolubricantes. Si cree que tienen que lubricarse, use solamente un lubricante tipo grafito, de polvo seco, en forma moderada.

# ESPECIFICACIONES DEL PRODUCTO

|  |  |
|--|--|
| NÚMERO DE MODELO   | 917.377631                                     |
| NÚMERO DE SERIE  |  |
| FECHA DE COMPRA  |  |
| CABALLOS DE FUERZA:  | 6.75   |
| DESPLAZAMIENTO:  | 12.56 CU. IN.                                  |
| CAPACIDAD Y TIPO DE GASOLINA:  | 1.25 Cuartos<br>REGULAR SIN PLOMO              |
| TIPO DE ACEITE:<br>(API-SF/SG/SH)  | SAE 30 (sobre 32°F)<br>SAE 5W-30 (debajo 32°F) |
| CAPACIDAD DE ACEITE:   | 20 oz. de capacidad                            |
| BUJÍA (ABERTURA: .030")  | CHAMPION RN4C                                  |
| TOLERANCIA DE VALVULA:   | ADMISIÓN: .004 - .008<br>DESCARGA: .004 - .008 |
| SENCENDIDO DE ESTADO   |  |
| SOLIDO ABERTURA DE AIRE:   | .0125 IN.                                      |
| TORSIÓN DEL PERNO<br>DE LA CUCHILLA:   | 35-40 FT. LBS.                                 |
| <ul style="list-style-type: none"> <li>• El número del modelo y el de serie se encuentran en la calcomanía adjunta a la parte trasera de la caja de la segadora. Debe registrar tanto el número de serie como la fecha de compra y manténgalos en un lugar seguro para referencia en el futuro.</li> </ul> |  |

## SEGADORA

Siempre observe las reglas de seguridad cuando haga el mantenimiento.

### LLANTAS

- Mantenga las llantas sin gasolina, aceite o sustancias químicas para control de insectos que pueden dañar la goma.
- Evite los tocones, las piedras, las grietas profundas, los objetos afilados y otros peligros que pueden dañar a las llantas.

### CUIDADO DE LA CUCHILLA

Para obtener los mejores resultados, la cuchilla de la segadora tiene que mantenerse afilada. Cambie la cuchilla doblada o dañada.

#### PARA REMOVER LA CUCHILLA

- Desconecte el alambre de la bujía y póngalo en donde no pueda entrar en contacto con ésta.
- Haga descansar la segadora en su lado. Asegúrese que el filtro de aire y que el carburador queden mirando hacia arriba.
- Use un bloque de madera entre la cuchilla y la caja de la segadora para evitar que la cuchilla gire cuando se le quite el perno.
- Proteja sus manos con guantes y/o envuelva la cuchilla con una tela gruesa.

- Remueva el perno de la cuchilla girándolo en el sentido contrario en que giran las manillas del reloj.
- Remueva la cuchilla y los artículos de ferretería adjuntadores (el perno, la arandela de seguridad y la arandela endurecida).

**AVISO:** Remueva el adaptador de la cuchilla y revise el cubo interior de la ranura del adaptador de la cuchilla. La ranura tiene que estar en buenas condiciones para que funcione en forma adecuada. Cambie el adaptador si está dañado.

#### PARA CAMBIAR LA CUCHILLA

- Ponga el adaptador de la cuchilla en el cigüeñal del motor. Asegúrese que la ranura del adaptador y que el chavetero del cigüeñal estén alineados.
- Ponga la cuchilla en el adaptador de ésta alineando los dos (2) agujeros en la cuchilla con las salientes elevadas en el adaptador.
- Asegúrese de que el borde de salida de la cuchilla (opuesto al borde afilado) esté hacia arriba hacia el motor.
- Instale el perno de la cuchilla con la arandela de seguridad y la arandela endurecida en el adaptador de la cuchilla y el cigüeñal.

- Use un bloque de madera entre la cuchilla y la caja de la segadora y apriete el perno de la cuchilla girándolo en el sentido en que giran las manillas del reloj.
- La torsión para apretar recomendada es de 35 – 40 pies libras.

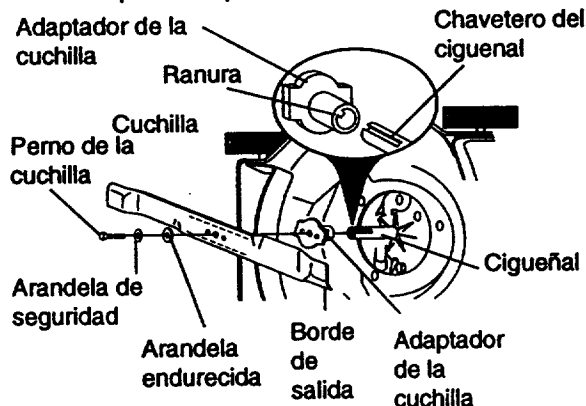
**IMPORTANTE: EL PERNO DE LA CUCHILLA ES CLASE 8 TRATADO A CALOR.**

**AVISO:** No recomendamos el afilar la cuchilla – pero si lo hace, asegúrese de que quede balanceada.

### PARA AFILAR LA CUCHILLA

Se tiene que tener cuidado de mantenerla balanceada. Una cuchilla que no está balanceada va a producir eventualmente daño en la segadora o en el motor.

- La cuchilla puede afilarse con una lima o en una rueda rectificadora. No trate de afilarla mientras se encuentra en la segadora.
- Para revisar el balance de la cuchilla, clave un clavo en una viga o en la pared. Deje alrededor de una pulgada de un clavo recto expuesto. Ponga el agujero central de la cuchilla sobre la cabeza del clavo. Si la cuchilla está balanceada debe permanecer en la posición horizontal. Si cualquiera de los extremos de la cuchilla se mueve hacia abajo, afile el extremo pesado hasta que ésta quede balanceada.



### RECOGEDOR DE CÉSPED

- El recogedor de césped puede ser rociado con el agua de la manguera pero tiene que estar seco cuando se vaya a usar.
- Revise su recogedor de césped a menudo para verificar si está dañado o deteriorado. Se va a desgastar con el uso normal. Si se necesita cambiar el recogedor, cámbielo solamente por uno que sea aprobado por el fabricante. Dé el número del modelo de la segadora cuando lo ordene.

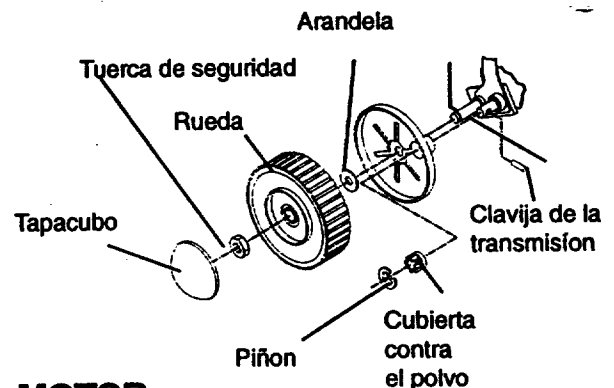
### RUEDAS DE IMPULSIÓN

Revise las ruedas de impulsión traseras cada vez antes de segar, para asegurarse de que se mueven libremente. Si las ruedas no giran libremente quiere decir que hay basura, recortes de césped, etc. dentro del área de las ruedas de impulsión y de la cubierta contra el polvo y tienen que limpiarse para liberarlas.

Es necesario limpiar las ruedas de impulsión; revise ambas ruedas traseras.

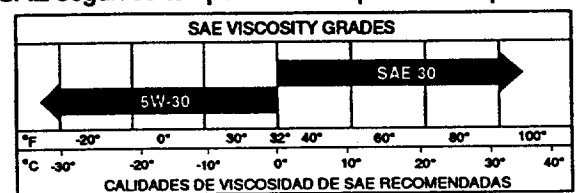
- Remueva los tapacubos y las tuercas de seguridad.
- Remueva las ruedas de los ejes de los ajustadores de las ruedas.
- Remueva la basura y los recortes de césped de dentro de la cubierta contra el polvo, piñón y/o de los dientes de los engranajes de las ruedas de impulsión.
- El piñón diferencial tiene que instalarse con el engranaje izquierdo en el lado izquierdo y con el engranaje derecho en el lado derecho desde el punto de vista del operador.
- El piñón diferencial viene estampado con una "L" (left (izquierda)) o con una "R" (right (derecha)) en la parte interior. Si se instala incorrectamente el sistema de impulsión no va a funcionar.
- Ponga las ruedas de vuelta en los ejes del ajustador.
- Vuelva a poner las tuercas de seguridad y los tapacubos.

**AVISO:** Los piñones y los trinquetes de impulsión deben limpiarse y lubricarse con grasa, aproximadamente cada 25 horas, o una vez al año.



### MOTOR LUBRICACIÓN

Use solamente aceite de detergente de alta calidad clasificado con la clasificación SF, SG o SH de servicio API. Seleccione la calidad de viscosidad SAE según su temperatura de operación esperada.



**AVISO:** A pesar de que los aceites de multiviscosidad (5W30, 10W30, etc.) mejoran el arranque en clima frío, estos aceites de multiviscosidad van a aumentar el consumo de aceite cuando se usan en temperaturas sobre 32° F. Revise el nivel del aceite del motor más a menudo, para evitar un posible daño en el motor, debido a que no tiene suficiente aceite.

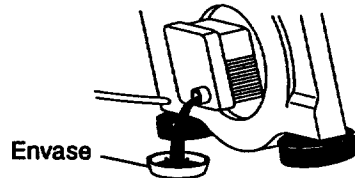
Cambie el aceite después de 25 horas de operación o por lo menos una vez al año si la segadora se utiliza menos 25 horas el año.

Revise el nivel del aceite del cárter antes de arrancar el motor y después de cada cinco (5) horas de uso continuado. Apriete el tapón del aceite en forma segura cada vez que revise el nivel del aceite.

## PARA CAMBIAR EL ACEITE DEL MOTOR

**AVISO:** Antes de inclinar la segadora para drenar el aceite, drene el tanque de combustible haciendo correr el motor hasta que el tanque esté vacío.

- Desconecte el alambre de la bujía y póngalo de modo que no pueda entrar en contacto con ésta.
- Remueva la tapa del depósito del aceite; déjela a un lado en una superficie limpia.
- Incline la cortadora de césped por este costado tal como se muestra y purgue el aceite en un recipiente idóneo. Mueva la segadora de atrás para adelante para remover todo el aceite que se haya quedado atrapado dentro del motor.
- Limpie todo el aceite derramado en la segadora y en el lado del motor.
- Llène el motor con aceite. Llénelo solamente hasta la línea de lleno (FULL) en la varilla indicadora de nivel. **NO LO LLENE DEMASIADO.**
- Vuelva a poner la tapa en el depósito del aceite.
- Vuelva a conectar el alambre de la bujía a ésta.



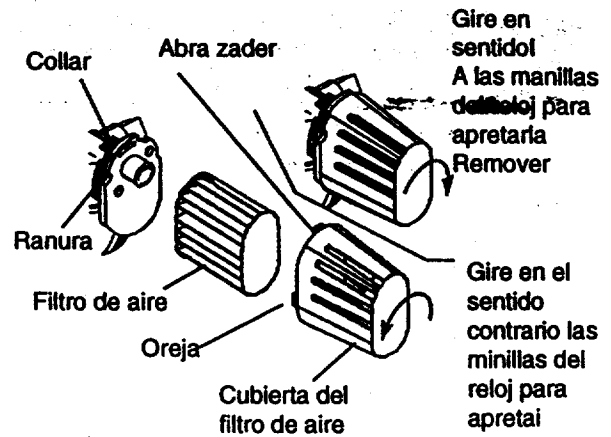
## FILTRO DE AIRE

Su motor no funcionará en forma adecuada y puede sufrir daños si se usa un filtro de aire sucio.

Cambie el filtro de aire cada año, y más a menudo si siega en condiciones muy polvorosas o sucias. No lave el filtro de aire.

### PARA CAMBIAR EL FILTRO DE AIRE

- Remueva el filtro de aire girándolo en el sentido en que gírela de las manillas del reloj para apretarla, hasta el tope, y retírela del collar.
- Remueva el filtro de la parte interior de la cubierta.
- Limpie la parte interior de la cubierta y el collar para remover toda acumulación de mugre.
- Inserte el filtro nuevo en la cubierta.
- Ponga la cubierta del filtro de aire dentro del collar alineando la oreja con la ranura.
- Empuje la cubierta hacia adentro y gírela en el sentido contrario de las manillas del reloj para apretarla.



## SILENCIADOR

Inspeccione y cambie el silenciador si está corroído pues producir un peligro de incendio y/o daño.

## BUJÍA

Cambie su bujía cada año para hacer que su motor arranque más fácilmente y funcione mejor. Ajuste la abertura de la bujía en 0.030 pulgada.

## LIMPIEZA

**IMPORTANTE:** Para obtener el mejor rendimiento, mantenga, la caja de la segadora sin acumulación de césped y basura. Limpie la parte de abajo de su segadora después de cada uso.

**PRECAUCIÓN:** Desconecte el alambre de la bujía y póngalo en donde no pueda entrar en contacto con ésta.

- Haga descansar la segadora en su lado. Asegúrese que el filtro de aire y que el carburador queden mirando hacia arriba. Limpie la parte inferior de su segadora raspándola para remover la acumulación de césped y basura.
- Limpie el motor a menudo para evitar que se acumule la basura. Un motor tapado funciona más caliente y se acorta su duración.
- Mantenga las superficies pulidas y las ruedas sin gasolina, aceite, etc.
- No recomendamos el uso de una manguera de jardín para limpiar la segadora a menos que el sistema eléctrico, el silenciador, el filtro de aire y el carburador estén tapados para evitar que les entre el agua. El agua en el motor puede acortar la duración de éste.

## LIMPIE DEBAJO DE LA CUBIERTA DE LA IMPULSIÓN

Limpie debajo de la cubierta de la impulsión por lo menos dos veces cada temporada. Raspe debajo de la cubierta con un cuchillo para masilla o con una herramienta parecida, para remover toda acumulación de césped o basura en la parte inferior de la cubierta de la impulsión.

## SERVICIO Y AJUSTES

### PRECAUCIÓN: ANTES DE DAR CUALQUIER SERVICIO O DE HACER AJUSTES:

- Suelte la barra de control y pare el motor.
- Asegúrese que la cuchilla y que todas las partes móviles se hayan detenido completamente.
- Desconecte el alambre de la bujía y póngalo en donde no pueda entrar en contacto con ésta.

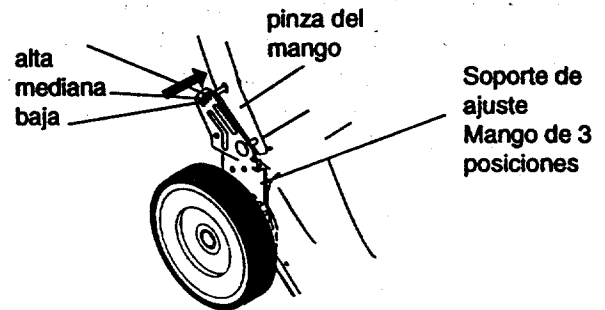
### PARA AJUSTAR EL MANGO

El mango de su segadora cuenta con tres (3) posiciones de altura – ajústelo a la altura que le acomode.

- Presione las extremidades inferiores del mando inferior una en contra una de la otra hasta que la pinza del mango pueda ser insertada en uno de los tres agujeros del control de la altura.

### DESVIADOR TRASERO

Se proporciona un desviador trasero, adjunto entre las ruedas traseras de su segadora, para reducir a un mínimo la posibilidad que objetos sean lanzados hacia afuera de la parte trasera de la segadora, en la posición en donde se encuentra el operador. Si se daña el desviador debe cambiarse.



### MOTOR

#### VELOCIDAD DEL MOTOR

La velocidad del motor ha sido ajustada en la fábrica. No trate de aumentar la velocidad del motor pues se pueden producir lesiones personales. Si cree que el motor está funcionando demasiado rápido o demasiado lento, lleve su segadora a un centro/departamento de servicio autorizado para repararla o ajustarla.

#### CARBURADOR

Su carburador tiene un chorro principal fijo no ajustable para controlar la mezcla. Si su motor no está funcionando en forma adecuada debido a problemas que se sospecha vienen del carburador, lleve su segadora a un centro/departamento de servicio autorizado para repararla y/o ajustarla.

## ALMACENAMIENTO

Inmediatamente prepare su segadora para el almacenamiento al final de cada temporada o si la unidad no se va a usar por 30 días o más.

### SEGADORA

Cuando se va a guardar la segadora por cierto período de tiempo, límpiela cuidadosamente, remueva toda la mugre, la grasa, las hojas, etc. Guárdela en un área limpia y seca.

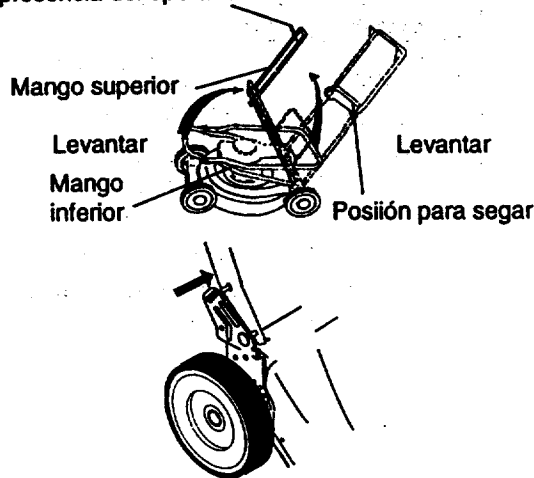
- Limpie toda la segadora (Vea "LIMPIEZA" en la sección de Mantenimiento de este manual).
- Lubríquela según se muestra en la sección de Mantenimiento de este manual.
- Asegúrese de que todas las tuercas y clavijas y todos los pernos y tornillos estén apretados en forma segura. Inspeccione las partes que se mueven para verificar si están dañadas, quebradas o desgastadas. Cámbielas si es necesario.
- Retoque todas las superficies que estén oxidadas o con la pintura picada; use una lija antes de pintar.

### MANGO

- Puede doblar el mango de su segadora para el almacenamiento.
- Suelte las dos (2) manillas del mango en cada lado del mango superior y permita que el mango se doble hacia atrás.
- Apriete las extremidades del mango inferior una en contra de la otra hasta que la pinza en el mando desparche los soportes y pivote el conjunto completo del mango hacia adelante para que se pueda reposar encima de la segadora.
- Cuando prepare su mango a partir de la posición de almacenamiento, el mango inferior necesitará cerrarlo manualmente para la posición de sega.

**IMPORTANTE:** Cuando doble el mango para el almacenamiento o el transporte, asegúrese que lo doble según se muestra o puede danar los cables de control.

Barra de control que exige la presencia del operador



## MOTOR SISTEMA DE COMBUSTIBLE

**IMPORTANTE:** Es importante evitar que se formen depósitos de goma en partes fundamentales del sistema de combustible tales como el carburador, el filtro del combustible, la manguera del combustible o en el estanque durante el almacenamiento. La experiencia también indica que los combustibles mezclados con alcohol (conocido como gasohol o que tiene etanol o metanol) pueden atraer humedad, lo que conduce a la separación y a la formación de ácidos durante el almacenamiento. La gasolina ácida puede dañar el sistema de combustible de un motor durante el periodo de almacenamiento.

- Drene el estanque de combustible.
- Haga arrancar el motor y déjelo funcionar hasta que las líneas del combustible y el carburador estén vacíos.
- Nunca use los productos para limpieza del carburador o del motor en el estanque de combustible pues se pueden producir daños permanentes.
- Use combustible nuevo la próxima temporada.

**AVISO:** El estabilizador de combustible es una alternativa aceptable para reducir a un mínimo la formación de depósitos de goma en el combustible durante el periodo de almacenamiento. Agregue estabilizador a la gasolina en el estanque de combustible o en el envase para el almacenamiento. Siempre siga la proporción de mezcla que se encuentra en el envase del estabilizador. Haga funcionar el motor por lo menos 10 minutos después de agregar el estabilizador, para permitir que este llegue al carburador. No drene la gasolina del estanque de gasolina y el carburador si se está usando estabilizador de combustible.

## ACEITE DEL MOTOR

Drene el aceite (con el motor caliente) y cámbielo con aceite de motor limpio. (Vea "MOTOR" en la sección de Mantenimiento de este manual.)

## CILINDRO

- Remueva la bujía.
- Vacíe una onza (29 ml) de aceite a través del agujero de la bujía en el cilindro.
- Tire la manilla de arranque lentamente unas cuantas veces para distribuir el aceite.
- Vuelva a montar la nueva bujía.

## BATERÍA

Separe la batería del conector del motor y cargue la batería durante 40 horas.

## OTROS

- No guarde la gasolina de una temporada a la otra.
- Cambie el envase de la gasolina si se empieza a oxidar. La oxidación y/o la mugre en su gasolina producirán problemas.
- Si es posible, guarde su unidad en un recinto cerrado y cúbrala para protegerla contra el polvo y la mugre.
- Cubra su unidad con un forro protector adecuado que no retenga la humedad. No use plástico. El plástico no puede respirar, lo que permite la formación de condensación, lo que producirá la oxidación de su unidad.

**IMPORTANTE:** Nunca cubra la segadora a mientras el motor y las áreas de escape todavía están calientes.

**PRECAUCIÓN:** Nunca almacene la segadora con gasolina en el estanque dentro de un edificio en donde los gases pueden alcanzar una llama expuesta o una chispa. Permita que se enfríe el motor antes de almacenarla en algún recinto cerrado.

## IDENTIFICACIÓN DE PROBLEMAS

| PROBLEMA                          | CAUSA  | CORRECCIÓN   |
|-----------------------------------|--|--|
| <p><b>No arranca</b></p>          | <ul style="list-style-type: none"> <li>• Filtro de aire sucio.</li> <li>• Sin combustible.</li> <li>• Combustible rancio.</li> <br/> <li>• Agua en el combustible.</li> <br/> <li>• Alambre de la bujía desconectado.</li> <li>• Bujía mala.</li> <li>• Cuchilla suelta o adaptador de la cuchilla quebrado.</li> <li>• Barra de control en la posición suelta.</li> <li>• Barra de control defectuosa.</li> <li>• Batería débil</li> <li>• Desconecte el conector de la batería.</li> </ul> | <ul style="list-style-type: none"> <li>• Limpie/cambie el filtro de aire.</li> <li>• Llene el estanque de combustible.</li> <li>• Drene el estanque y vuelva a llenarlo con combustible limpio y nuevo.</li> <li>• Drene el estanque de combustible y el carburador y vuelva a llenar el estanque con gasolina nueva.</li> <li>• Conecte el alambre a la bujía.</li> <br/> <li>• Cambie la bujía.</li> <li>• Apriete el perno de la cuchilla o cambie el adaptador de la cuchilla.</li> <li>• Presione la barra de control hacia el mango.</li> <li>• Cambie la barra de control.</li> <li>• Cague la batería</li> <li>• Conecte la batería al motor.</li> </ul> |
| <p><b>Falta de fuerza</b></p>     | <ul style="list-style-type: none"> <li>• Parte trasera de la caja/cuchilla de la segadora arrastrándose en el césped pesado.</li> <li>• Está cortando mucho césped.</li> <li>• Filtro de aire sucio.</li> <li>• Acumulación de césped, hojas y basura debajo de la segadora.</li> <li>• Demasiado aceite en el motor.</li> <li>• Velocidad de recorrido demasiado rápida.</li> </ul>   | <ul style="list-style-type: none"> <li>• Ajuste a la posición de "Corte más alto."</li> <br/> <li>• Ajuste a la posición de "Corte más alto."</li> <li>• Limpie/cambie el filtro de aire.</li> <li>• Limpie la parte inferior de la caja de la segadora.</li> <li>• Revise el nivel del aceite.</li> <br/> <li>• Corte a una velocidad de recorrido más lenta.</li> </ul>  |
| <p><b>Mal corte—disparejo</b></p> | <ul style="list-style-type: none"> <li>• Cuchilla desgastada, doblada o suelta.</li> <li>• Altura de las ruedas dispareja.</li> <li>• Acumulación de césped, hojas o basura debajo de la segadora.</li> </ul>  | <ul style="list-style-type: none"> <li>• Cambie la cuchilla. Apriete el perno de la cuchilla.</li> <li>• Ajuste todas las ruedas a la misma altura.</li> <li>• Limpie la parte inferior de la caja de la segadora.</li> </ul>  |
| <p><b>Vibración excesiva</b></p>  | <ul style="list-style-type: none"> <li>• Cuchilla desgastada, doblada o suelta.</li> <li>• Cigüeñal del motor doblado.</li> </ul>  | <ul style="list-style-type: none"> <li>• Cambie la cuchilla. Apriete el perno de la cuchilla.</li> <li>• Póngase en contacto con su centro de servicio autorizado más cercano.</li> </ul>  |

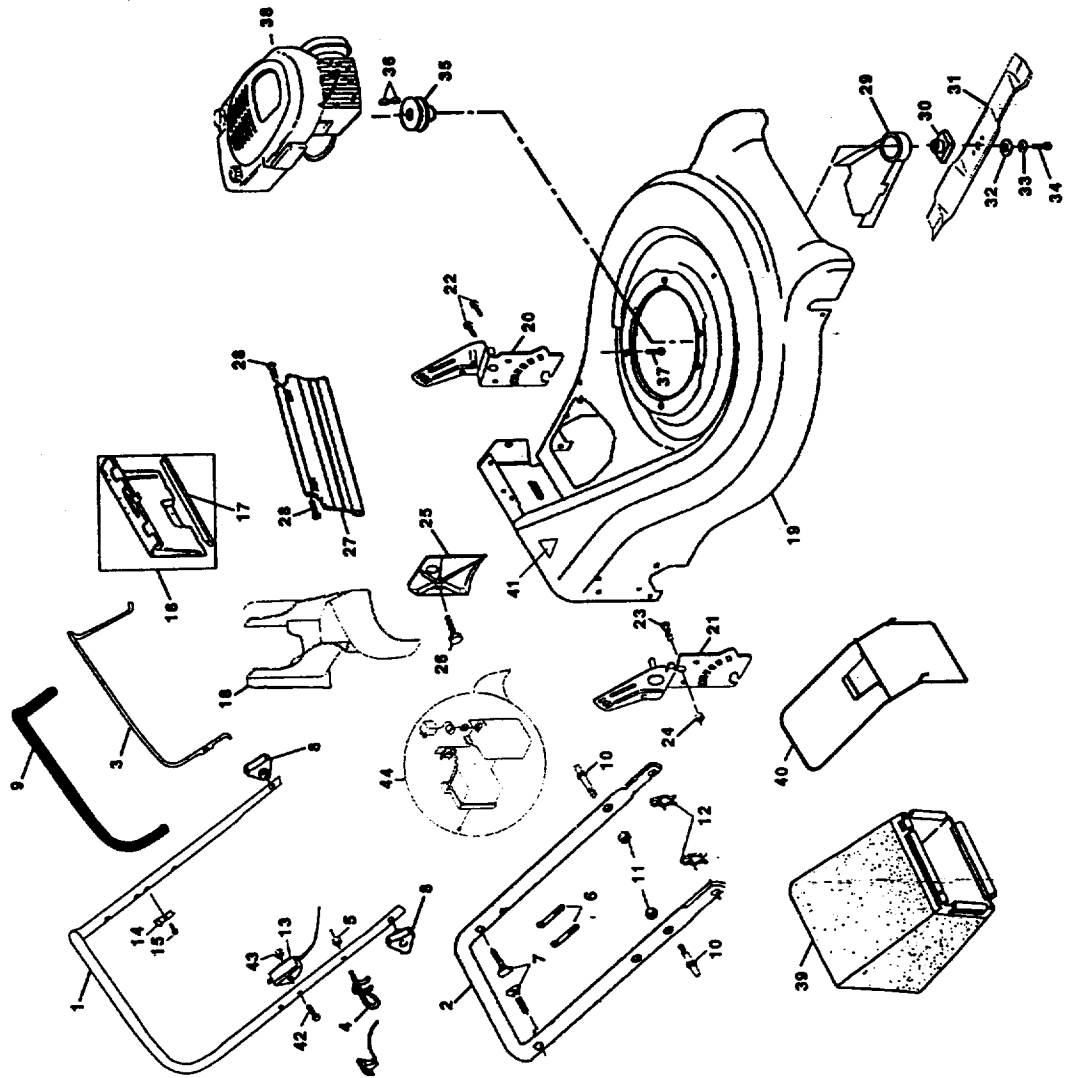


## IDENTIFICACIÓN DE PROBLEMAS

| PROBLEMA   | CAUSA   | CORRECCIÓN  |
|--|---|---|
| <b>Cordón arrancador difícil de tirar</b>                  | <ul style="list-style-type: none"> <li>• El freno del volante del motor está aplicado cuando se suelta la barra de control.</li> <li>• Cigüeñal del motor doblado.</li> <li>• Adaptador de la cuchilla quebrado.</li> <li>• La cuchilla se arrastra en el césped.</li> </ul>  | <ul style="list-style-type: none"> <li>• Presione la barra de control hacia el mango superior antes de tirar el cordón arrancador.</li> <li>• Póngase en contacto con su centro de servicio autorizado más cercano.</li> <li>• Cambie el adaptador de la cuchilla.</li> <li>• Mueva la segadora a un lugar en donde el césped ha sido cortado o a una superficie firme para hacer arrancar el motor.</li> </ul> |
| <b>Recogedor de césped no se llena (si viene equipado)</b> | <ul style="list-style-type: none"> <li>• Altura de corte demasiado baja.</li> <li>• Levantamiento de la cuchilla desgastado.</li> <li>• Recogedor sin ventilación de aire.</li> </ul>   | <ul style="list-style-type: none"> <li>• Eleve la altura de corte.</li> <li>• Cambie las cuchillas.</li> <li>• Limpie el recogedor de césped.</li> </ul>  |
| <b>Difícil de empujar</b>                                  | <ul style="list-style-type: none"> <li>• El césped está demasiado alto o la altura de la rueda demasiado baja.</li> <li>• Parte trasera de la caja/ cuchilla de la segadora arrastrándose en el césped.</li> <li>• Recogedor de césped demasiado lleno.</li> <li>• Posición de la altura del mango no adecuada para usted.</li> </ul> | <ul style="list-style-type: none"> <li>• Eleve la altura de corte.</li> <li>• Eleve la parte trasera de la caja de la segadora (1) un lugar más alto.</li> <li>• Vacíe el recogedor de césped.</li> <li>• Ajuste la altura del mango de modo que le acomode.</li> </ul>   |

# REPAIR PARTS

ROTARY LAWN MOWER -- MODEL NO. 917.377631



# REPAIR PARTS

## ROTARY LAWN MOWER -- MODEL NO. 917.377631

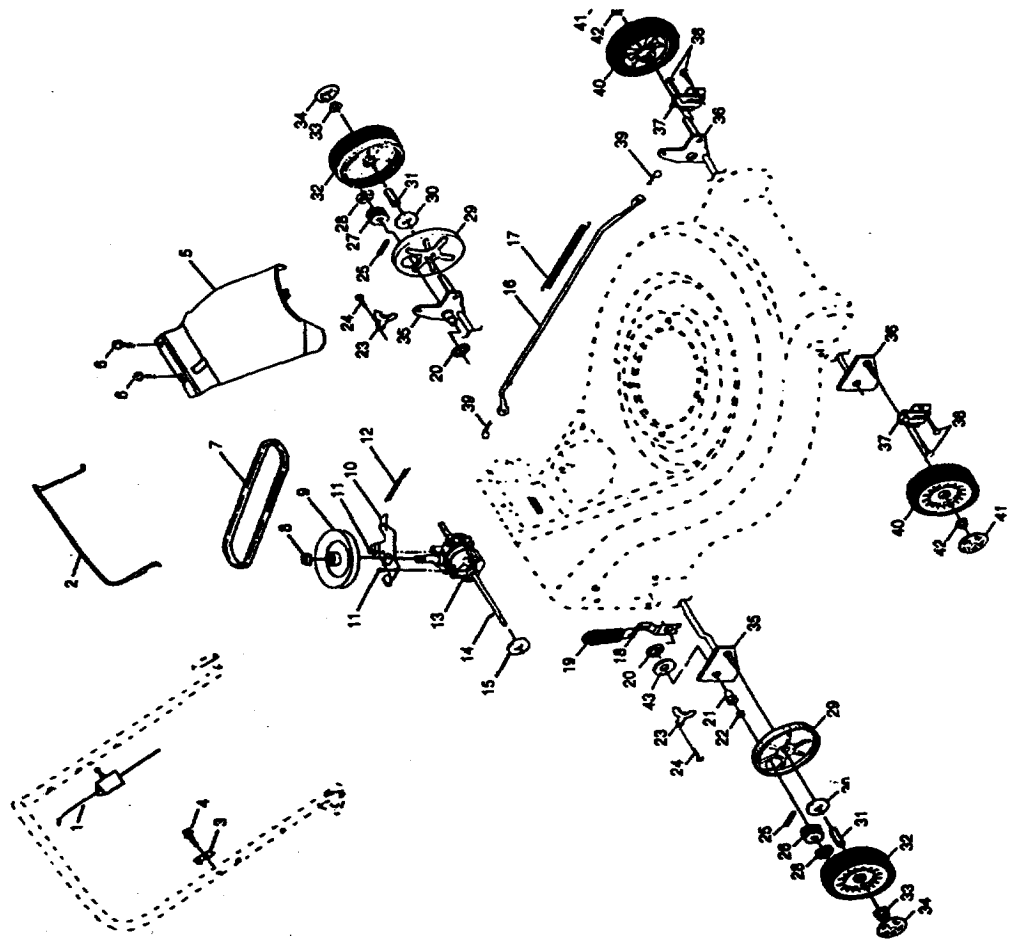
| KEY NO. | PART NO.   | DESCRIPTION                          | KEY NO. | PART NO. | DESCRIPTION                        |
|---------|------------|--------------------------------------|---------|----------|------------------------------------|
| 1       | 164286     | Handle, Upper Dix Comf.              | 23      | 163183   | Bolt, Hex Head 5/16-18 x 5/8       |
| 2       | 161105X479 | Handle, Lower                        | 24      | 63124    | Nut, Hex Lock Wshr 5/16-18         |
| 3       | 131036     | Ball, Cont. Wire Dix Comf. Bk        | 25      | 161333   | Baffle, Side                       |
| 4       | 132001     | Guide, Rope, Side                    | 26      | 163409   | Screw 12 x 5/8                     |
| 5       | 63601      | Nut, Hex Lockwasher 1/4-20           | 27      | 161550   | Skirt                              |
| 6       | 66426      | Wire, Tie                            | 28      | 88652    | Screw, Hinge 1/4-20 x 1.25         |
| 7       | 131959     | Bolt, Handle 5/16-18 x 1.75          | 29      | 134612   | Shield, Debris Modified            |
| 8       | 87692      | Knob, Handle                         | 30      | 851514   | Adapter, Blade w/key Longer        |
| 9       | 164265     | Grip, Hdl Foam Smooth                | 31      | 159267   | Blade, 21"                         |
| 10      | 161551     | Bolt, Sq. Neck                       | 32      | 851074   | Washer, Hardened                   |
| 11      | 73990500   | Nut, Hex Lockwasher Ins. 5/16-18 UNC | 33      | 850263   | Lockwasher, Helical Spring 3/8     |
| 12      | 51793      | Cotter, Hairpin                      | 34      | 851084   | Screw, Hex Head 3/8-24 x 1.38      |
| 13      | 162208     | Electric start control               | 35      | 85543    | Pulley, Engine                     |
| 14      | 850733X004 | Bracket, Upstop                      | 36      | 87677    | Key, Hi Pro                        |
| 15      | 83816      | Screw, Hex Washer Head Tapping 10-2  | 37      | 150406   | Bolt, Engine                       |
| 16      | 162085     | Kit, Door Rear                       | 38      | -----    | Engine (See Breakdown) 143.986718  |
| 17      | 161548     | Seal, Door                           | 39      | 161768   | Grass Catcher Bag                  |
| 18      | 165261     | Plug, Mulcher                        | 40      | 161358   | Grass Catcher Frame                |
| 19      | 162098     | Kit, Housing                         | 41      | 85463    | Danger Decal                       |
| 20      | 161568X479 | Handle, Bracket Asm. Left            | 42      | 144929   | Screw                              |
| 21      | 161569X479 | Handle, Bracket Asm. Right           | 43      | 751152   | Nut                                |
| 22      | 150078     | Screw, Hex Wshd                      | 44      | -----    | Battery (See Battery Repair Parts) |
|         |            |                                      | --      | 161058   | Warning Decal (Not Shown)          |
|         |            |                                      | --      | 165683   | Owner's Manual                     |

Available accessories not included with lawn mower:

|    |       |                      |
|----|-------|----------------------|
| 71 | 33623 | Gas Can (2.5 gal.)   |
| 71 | 33500 | Fuel Stabilizer      |
| 71 | 33000 | SAE 30W Oil (20 oz.) |
| 71 | 33303 | Chute Deflector      |

# REPAIR PARTS

ROTARY LAWN MOWER - - MODEL NO. 917.377631



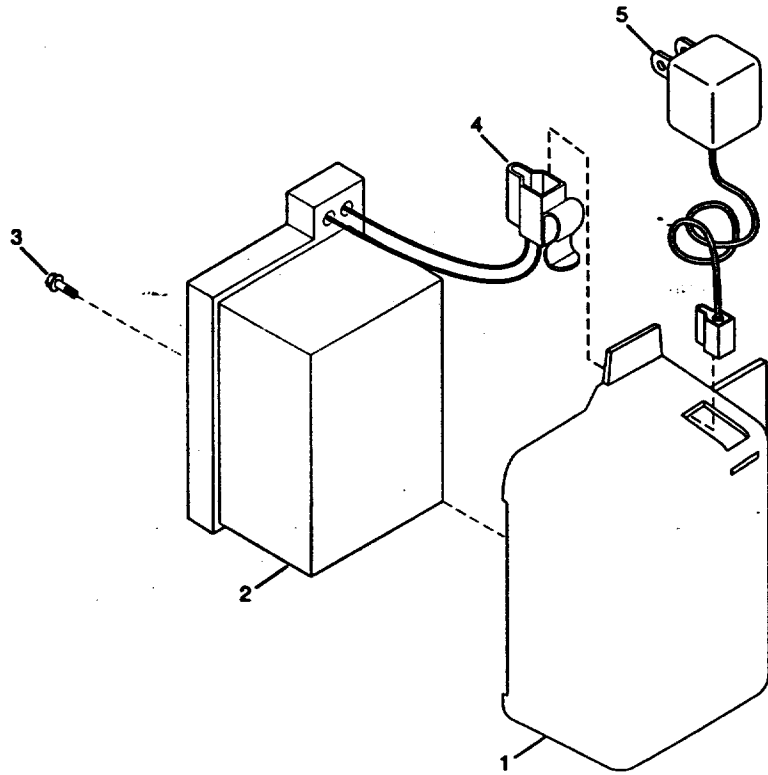
# REPAIR PARTS

## ROTARY LAWN MOWER - - MODEL NO. 917.377631

| KEY NO. | PART NO.   | DESCRIPTION                      | KEY NO. | PART NO.    | DESCRIPTION                         |
|---------|------------|----------------------------------|---------|-------------|-------------------------------------|
| 1       | 161587     | Cable Drive                      | 23      | 161118X004  | Retainer Drive Asm. Stmp.           |
| 2       | 161473     | Bail Control Drive               | 24      | 57808       | Screw Hex Head Tapping 1/4-20 x .75 |
| 3       | 161478X004 | Bracket, Downstop                | 25      | 164795      | Drive Pawl                          |
| 4       | 83816      | Screw Hex Wash Head Tapping 10-2 | 26      | 165096      | Pinion, Drive RH                    |
| 5       | 161552     | Cover Drive                      | 27      | 165097      | Pinion, Drive LH                    |
| 6       | 750634     | Screw Thdrol 10-25 x .50         | 28      | 12000058    | E-Ring 7/16                         |
| 7       | 160816     | V-Belt                           | 29      | 88080       | Cover, Dust Wheel                   |
| 8       | 132010     | Nut Lock Flanged 3/8-16 Zinc     | 30      | 67725       | Washer 1/2 x 1-1/2 x .134           |
| 9       | 163939     | Pulley Driven                    | 31      | 88446       | Bushing                             |
| 10      | 160813X004 | Belt Keeper                      | 32      | 150342      | Wheel 9 x 2                         |
| 11      | 17541011   | Screw Hex Wash Head 10-24 X .668 | 33      | 145212      | Nut Hex Flange Lock                 |
| 12      | 75192      | Spring                           | 34      | 150181      | Hubcap, Mag Platinum 9"             |
| 13      | 161581     | Transmission Asm.                | 35      | 160785 X004 | Shaft Asm. Rear                     |
| 14      | 145354     | Pin Spring Thrust                | 36      | 160786X004  | Shaft Asm. Front                    |
| 15      | 57079      | Washer Hardened                  | 37      | 161463      | Retainer Front Shaft                |
| 16      | 161584X479 | Rod Connecting                   | 38      | 163409      | Screw 12 x 5/8                      |
| 17      | 161602     | Spring Extension                 | 39      | 700279      | Clip Retainer                       |
| 18      | 160477X004 | Spring Selector                  | 40      | 150339      | Wheel 8 x 2                         |
| 19      | 161546     | Knob Selector Spring             | 41      | 150182      | Hubcap, Mag Platinum 8"             |
| 20      | 12000022   | E-Ring 7/8                       | 42      | 83923       | Nut, Hex Flange Lock 3/8-16         |
| 21      | 163365     | Bearing Support                  | 43      | 19572216    | Washer                              |
| 22      | 88060      | Bearing Ball                     |         |             |                                     |

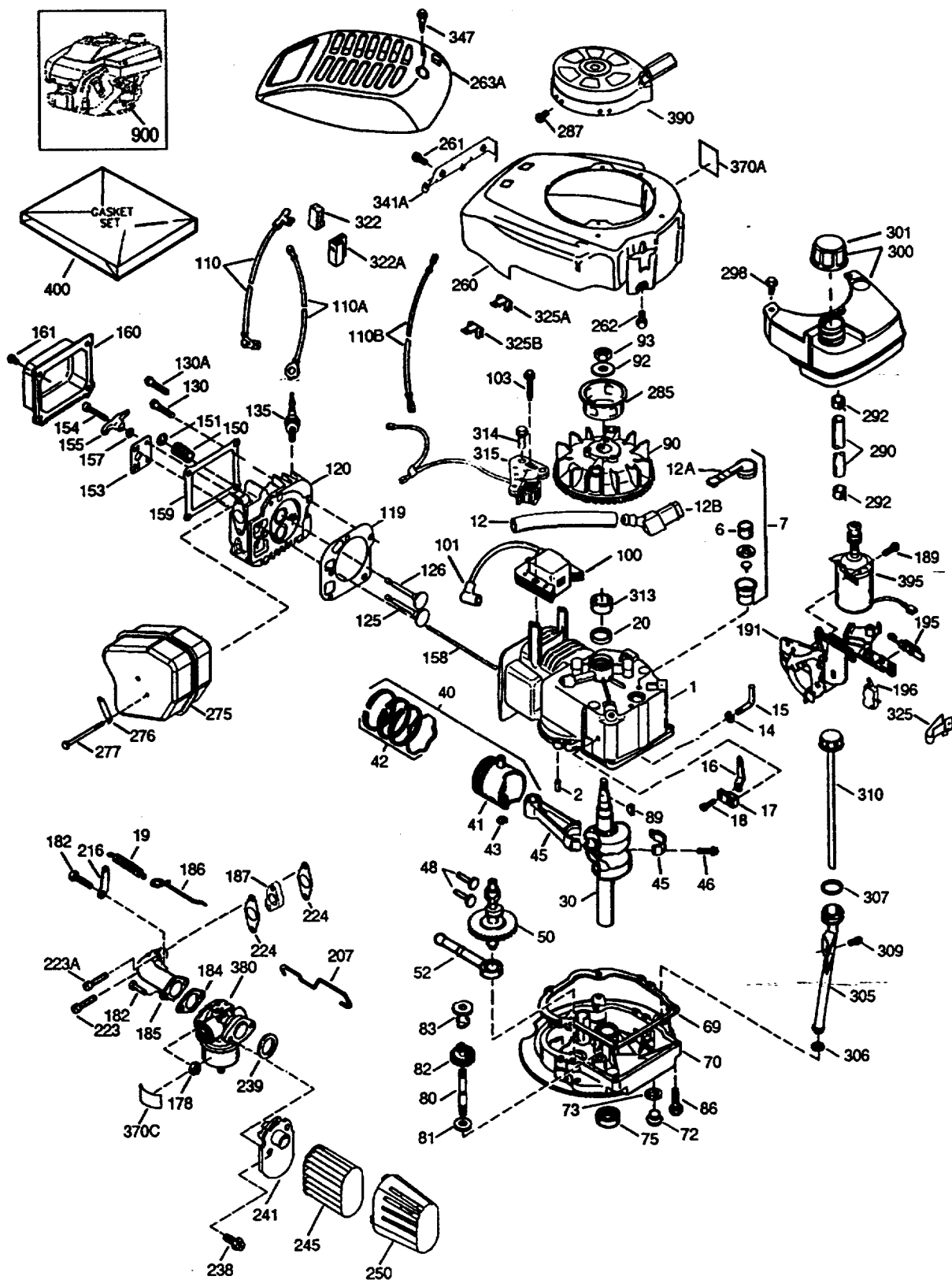
# REPAIR PARTS

## ROTARY LAWN MOWER -- MODEL NO. 917.377631 BATTERY



| KEY NO. | PART NO. | DESCRIPTION                      |
|---------|----------|----------------------------------|
| 1       | 161334   | Battery Box                      |
| 2       | 750909   | Battery                          |
| 3       | 17411312 | Hex Washer Head Screw<br>13x.750 |
| 4       | 86353    | Connector Mounting Clip          |
| 5       | 111549X  | Battery Charger                  |

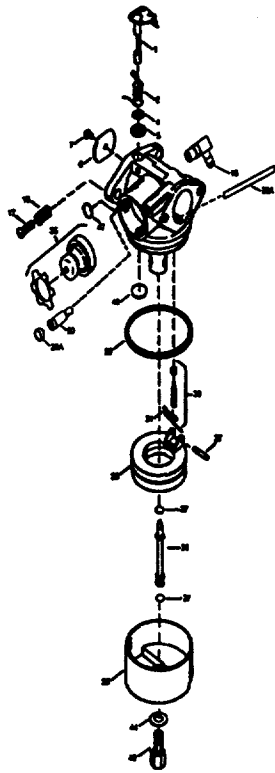




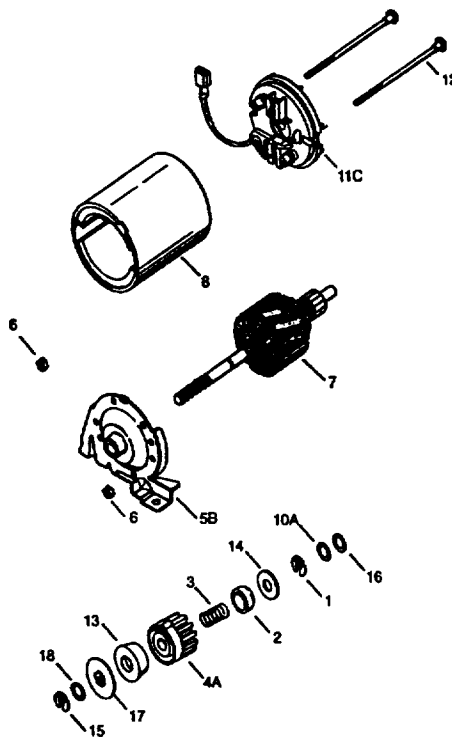


| KEY PART NO. | KEY PART NO. | DESCRIPTION                               | KEY PART NO. | KEY PART NO. | DESCRIPTION                       |
|--------------|--------------|---|--------------|--------------|-----------------------------------|
| 1            | 36835A       | Cylinder (Incl. 2 & 20)                   | 155          | 35624A       | Rocker Arm                        |
| 2            | 26727        | Dowel Pin                                 | 157          | 650914       | Lock Nut                          |
| 6            | 33734        | Breather Element                          | 158          | 36629        | Push Rod                          |
| 7            | 36557        | Breather Ass'y. (Incl. 6 & 12A)           | 159          | 35626        | * Rocker Arm Cover Gasket         |
| 12           | 32447        | Breather Tube                             | 160          | 35627        | Rocker Arm Housing                |
| 12A          | 36558        | Breather Cover & Tube (Incl. 12B)         | 161          | 30063        | Screw, Torx T-30, 1/4-20 x 1/2"   |
| 12B          | 36694        | Breather Tube Elbow                       | 178          | 29752        | Nut & Lock Washer, 1/4-28         |
| 14           | 28277        | Washer                                    | 182          | 30088A       | Screw, 1/4-28 x 1"                |
| 15           | 30589        | Governor Rod (Incl. 14)                   | 184          | 26756        | * Carburetor Gasket               |
| 16           | 34839A       | Governor Lever                            | 185          | 36579        | Intake Pipe                       |
| 17           | 31335        | Governor Lever Clamp                      | 186          | 32653        | Governor Link                     |
| 18           | 651018       | Screw, Torx T-15, 8-32 x 19/64"           | 187          | 36580        | Spacer                            |
| 19           | 36281        | Extension Spring                          | 189          | 650831       | Screw, 1/4-20 x 1/2"              |
| 20           | 32600        | Oil Seal                                  | 191          | 36559        | S.E. Brake Ass'y. (Incl. 195)     |
| 30           | 35801        | Crankshaft                                | 195          | 610973       | Terminal                          |
| 40           | 35544A       | Piston, Pin & Ring Set (Std.)             | 196          | 35035        | Power Restart Switch              |
|              | 35545A       | Piston, Pin & Ring Set (.010" OS)         | 207          | 34336        | Throttle Link                     |
|              | 35546        | Piston, Pin & Ring Set (.020" OS)         | 216          | 33086        | R.P.M. Adjusting Lever            |
| 41           | 35541        | Piston & Pin Ass'y. (Std.)                | 223          | 651044       | Screw, 1/4-20 x 2-25/32"          |
|              | 35542        | Piston & Pin Ass'y. (.010" OS) (Incl. 43) | 223A         | 651043       | Screw, 1/4-20 x 1-31/64"          |
|              | 35543        | Piston & Pin Ass'y. (.020" OS) (Incl. 43) | 224          | 36581        | * Intake Pipe Gasket              |
| 42           | 35547A       | Ring Set (Std.)                           | 238          | 650932       | Screw, 10-32 x 49/64"             |
|              | 35548A       | Ring Set (.010" OS)                       | 239          | 34338        | * Air Cleaner Gasket              |
|              | 35549        | Ring Set (.020" OS)                       | 241          | 36919        | Air Cleaner Collar                |
| 43           | 20381        | Piston Pin Retaining Ring                 | 245          | 36905        | Air Cleaner Filter                |
| 45           | 32875A       | Connecting Rod Ass'y. (Incl. 46)          | 250          | 36920        | Air Cleaner Cover                 |
| 46           | 32610A       | Connecting Rod Bolt                       | 260          | 37180        | Blower Housing                    |
| 48           | 35616        | Valve Lifter                              | 261          | 30063        | Screw, Torx T-30, 1/4-20 x 1/2"   |
| 50           | 37011        | Camshaft (MCR)                            | 262          | 650831       | Screw, 1/4-20 x 1/2"              |
| 52           | 29914        | Oil Pump Ass'y.                           | 263A         | 37184        | Starter Grill                     |
| 69           | 35261        | * Mounting Flange Gasket                  | 275          | 36950        | Muffler (Incl. 276 & 277)         |
| 70           | 36995        | Mounting Flange (Incl. 72 thru 83)        | 276          | 36949        | Locking Plate                     |
| 72           | 30572        | Oil Drain Plug (Incl. 73)                 | 277          | 651039       | Screw, 1/4-20 x 2-47/64"          |
| 73           | 28833        | Drain Plug Gasket                         | 285          | 35000A       | Starter Cup                       |
| 75           | 27897        | Oil Seal                                  | 287          | 650926       | Screw, 8-32 x 21/64"              |
| 80           | 30574A       | Governor Shaft                            | 290          | 29774        | Fuel Line                         |
| 81           | 30590A       | Washer                                    | 292          | 26460        | Fuel Line Clamp                   |
| 82           | 30591        | Governor Gear Ass'y. (Incl. 81)           | 298          | 28763        | Screw, 10-32 x 35/64"             |
| 83           | 30588A       | Governor Spool                            | 300          | 36916        | Fuel Tank (Incl. 292 & 301)       |
| 86           | 650488       | Screw, 1/4-20 x 1-1/4"                    | 301          | 36246        | Fuel Cap                          |
| 89           | 611004       | Flywheel Key                              | 305          | 35647        | Oil Fill Tube                     |
| 90           | 611044       | Flywheel                                  | 306          | 36996        | * "O"-Ring                        |
| 92           | 650815       | Belleville Washer                         | 307          | 35499        | "O"-Ring                          |
| 93           | 650816       | Flywheel Nut                              | 309          | 650562       | Screw, 10-32 x 1/2"               |
| 100          | 34443B       | Solid State Ignition                      | 310          | 35648        | Dipstick                          |
| 101          | 610118       | Spark Plug Cover                          | 313          | 34080        | Spacer                            |
| 103          | 651007       | Screw, Torx T-15, 10-24 x 15/16"          | 314          | 650767       | Screw, 8-32 x 27/64"              |
| 110          | 37047        | Ground Wire                               | 315          | 36952        | Alternator Coil                   |
| 110A         | 36953        | Ground Wire                               | 322          | 35013        | Connector Body                    |
| 110B         | 36954        | D.C. Starter Wire                         | 322A         | 610885       | Connector Body                    |
| 119          | 36738        | * Cylinder Head Gasket                    | 325          | 35249        | Spring Clip                       |
| 120          | 36721        | Cylinder Head                             | 325A         | 37152        | Spring Clip                       |
| 125          | 36471        | Exhaust Valve (Std.) (Incl. 151)          | 325B         | 29443        | Spring Clip                       |
|              | 36472        | Exhaust Valve (1/32" OS) (Incl. 151)      | 341A         | 36578        | Blower Housing Support Bracket    |
| 126          | 29314B       | Intake Valve (Std.) (Incl. 151)           | 347          | 651038       | Screw, 10-32 x 27/32"             |
|              | 29315C       | Intake Valve (1/32" OS) (Incl. 151)       | 370A         | 36261        | Lubrication Decal                 |
| 130          | 650912       | Screw, 5/16-18 x 1-1/2"                   | 370C         | 37199        | Primer Decal                      |
| 130A         | 650999       | Screw, 5/16-18 x 2-41/64"                 | 380          | 640160       | Carburetor (Incl. 184)            |
| 135          | 34645        | Resistor Spark Plug (RN4C)                | 390          | 590739       | Rewind Starter                    |
| 150          | 31672        | Valve Spring                              | 395          | 35709        | Electric Starter Motor (12 Volt)  |
| 151          | 31673        | Valve Spring Cap                          | 400          | 36806B       | Gasket Set (Incl. Items Marked *) |
| 153          | 36649        | Push Rod Guide                            | 900          | ---          | Replacement Engine NONE           |
| 154          | 650913       | Rocker Arm Stud                           | 900          | ---          | Replacement S/B 750834, order     |
|              |              |   |              |              | RPM High 3000 to 3300             |

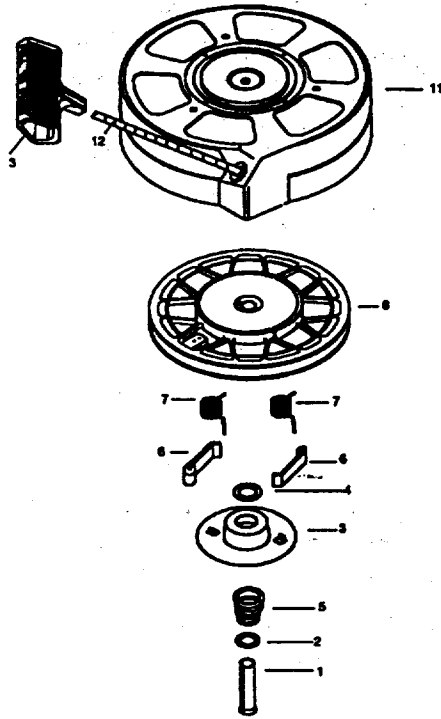
NOTE: This engine could have been built with 590702 starter.



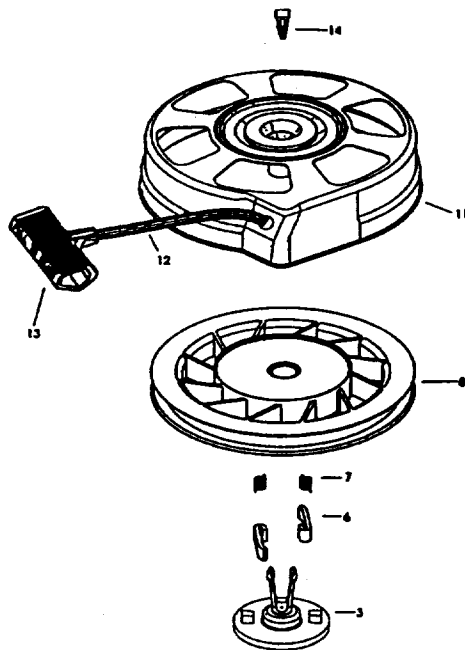
| KEY NO. | PART NO. | DESCRIPTION                                 |
|---------|----------|---|
| ---     | 640160   | Carburetor (Incl. 184 of Engine Parts List) |
| 1       | 631615   | Throttle Shaft & Lever Assembly             |
| 2       | 631767   | Throttle Return Spring                      |
| 4       | 631184   | Dust Seal Washer                            |
| 5       | 631183   | Dust Seal (Throttle)                        |
| 6       | 640070   | Throttle Shutter                            |
| 7       | 650506   | Shutter Screw                               |
| 16      | 631807   | Fuel Fitting                                |
| 17      | 651025   | Throttle Crack Screw/Idle Speed Screw       |
| 18      | 630766   | Tension Spring                              |
| 20      | 640016   | Idle Restrictor Screw                       |
| 20A     | 640053   | Idle Restrictor Screw Cap                   |
| 25      | 631867   | Float Bowl                                  |
| 27      | 631024   | Float Shaft                                 |
| 28      | 632019   | Float                                       |
| 29      | 631028   | Float Bowl "O" Ring                         |
| 30      | 631021   | Inlet Needle, Seat, & Clip (Incl. 31)       |
| 31      | 631022   | Spring Clip                                 |
| 35      | 36045A   | Primer Bulb/Retainer Ring                   |
| 36      | 640080   | Main Nozzle Tube                            |
| 36A     | 632766   | Carburetor Tube                             |
| 37      | 632547   | "O" Ring, Main Nozzle Tube                  |
| 40      | 640074   | High Speed Bowl Nut                         |
| 44      | 27110    | Bowl Nut Washer                             |
| 47      | 630748   | Welch Plug, Idle Mixture Well               |
| 48      | 631027   | Welch Plug, Atmospheric Vent                |



| KEY NO. | PART NO. | DESCRIPTION                               |
|---------|----------|---|
| ---     | 35709    | Electric Starter (12 Volt)                |
| 1       | 34955    | Retainer Ring                             |
| 2       | 34950    | Spring Retainer                           |
| 3       | 34954    | Spring                                    |
| 4A      | 34949A   | Gear                                      |
| 5B      | 34953    | Drive End Cap Ass'y.                      |
| 6       | 33450    | Lock Nut                                  |
| 7       | 34944    | Armature                                  |
| 8       | 34945    | Housing Ass'y.                            |
| 10A     | 590500   | Thrust Washer                             |
| 11C     | 35714    | Commutator End Cap Ass'y. (Incl. brushes) |
| 12      | 34947    | Bolt, 10-32 x 3-3/16"                     |
| 13      | 34946    | Pinion Driver                             |
| 14      | 34951    | Cup Washer                                |
| 15      | 34952    | Retainer Ring                             |
| 16      | 34948    | Washer                                    |
| 17      | 34953    | Drive Nut                                 |
| 18      | 590608   | Washer                                    |



| KEY NO. | PART NO. | DESCRIPTION                                |
|---------|----------|--|
| —       | 590702   | Recoil Starter                             |
| 1       | 590599A  | Spring Pin (Incl. 4)                       |
| 2       | 590600   | Washer                                     |
| 3       | 590696   | Retainer                                   |
| 4       | 590601   | Washer                                     |
| 5       | 590697   | Brake Spring                               |
| 6       | 590698   | Starter Dog                                |
| 7       | 590699   | Dog Spring                                 |
| 8       | 590700   | Pulley & Rewind Spring Ass'y.              |
| 11      | 590703   | Starter Housing Ass'y. (40 degree grommet) |
| 12      | 590535   | Starter Rope (98" X 9/64" dia.)            |
| 13      | 590701   | Starter Handle                             |



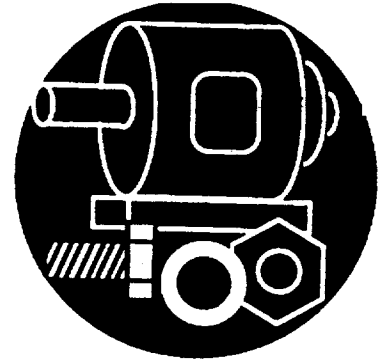
| KEY NO. | PART NO. | DESCRIPTION                               |
|---------|----------|---|
| —       | 590739   | Rewind Starter                            |
| 3       | 590740   | Retainer                                  |
| 6       | 590616   | Starter Dog                               |
| 7       | 590617   | Dog Spring                                |
| 8       | 590618A  | Pulley & Rewind Spring Ass'y              |
| 11      | 590638   | Starter Housing Ass'y (40 degree grommet) |
| 12      | 590535   | Starter Rope (Length 98" x 9/64" dia.)    |
| 13      | 590701   | Starter Handle                            |
| 14      | 590741   | Locking Tab                               |

For the repair or replacement parts you need  
delivered directly to your home  
Call 7 am - 7 pm, 7 days a week

**1-800-366-PART**

(1-800-366-7278)

Para ordenar piezas con entrega a  
domicilio - 1-800-659-7084



For in-house major brand repair service  
Call 24 hours a day, 7 days a week

**1-800-4-REPAIR**

(1-800-473-7274)

Para pedir servicio de reparación a  
domicilio - 1-800-676-5811



For the location of a Sears Parts and  
Repair Center in your area  
Call 24 hours a day, 7 days a week

**1-800-488-1222**



For information on purchasing a Sears  
Maintenance Agreement or to inquire  
about an existing Agreement

Call 9 am - 5 pm, Monday-Saturday

**1-800-827-6655**



When requesting service or ordering  
parts, always provide the following  
information:

- Product Type
- Part Number
- Model Number
- Part Description

**SEARS**  
**REPAIR SERVICES**

*America's Repair Specialists*